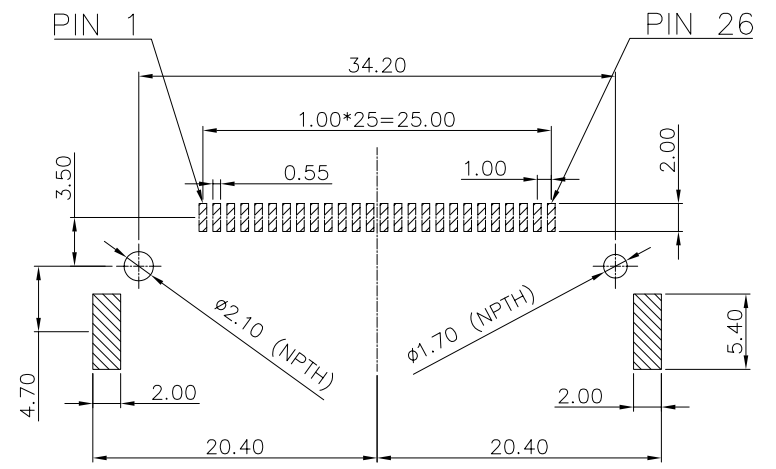
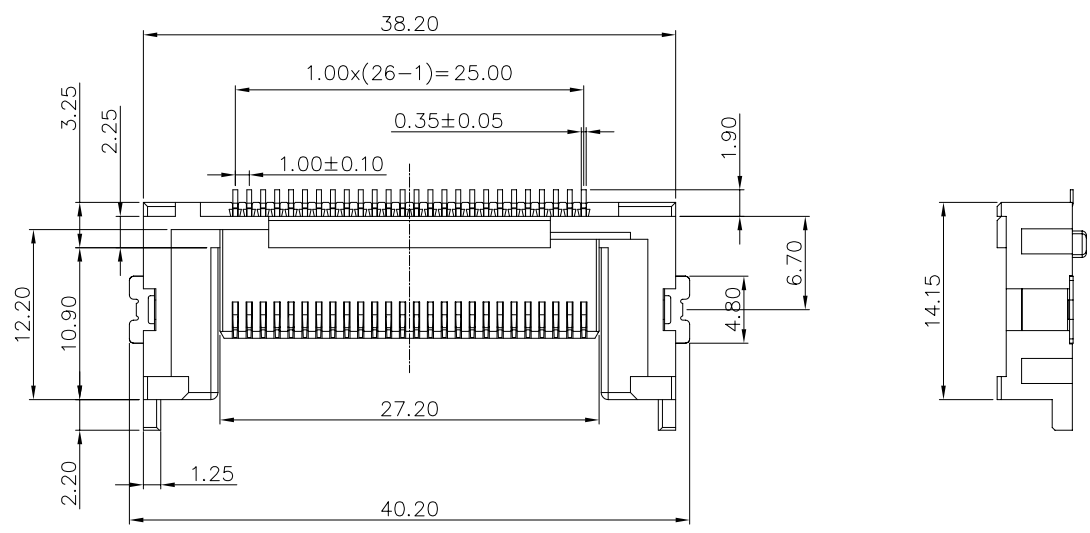
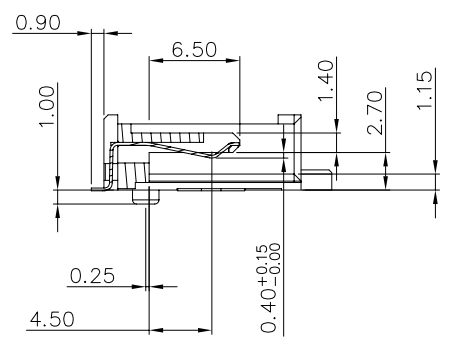
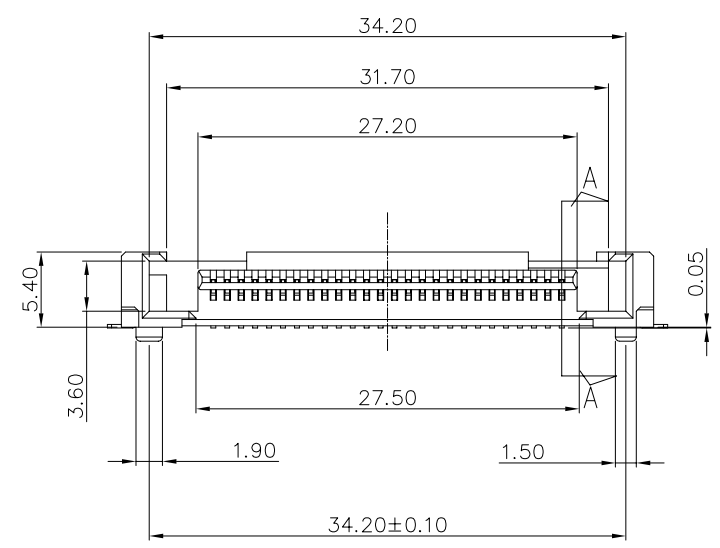


1 2 3 4 5 6 7 8 9 0

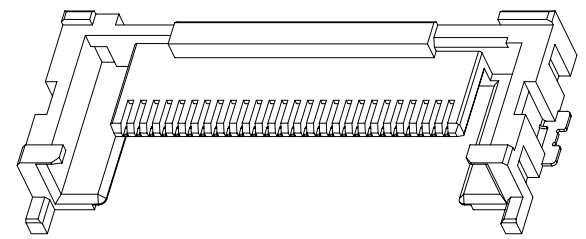
J
I
H
G
F
E
D
C
B
A



RECOMENDED PCB LAYOUT
TOLERANCE: ±0.05mm(TOP VIEW)



SECTION A-A



- NOTE:
- Material:
 - Housing: Engineering Plastic, LCP With 30% G.F. UL 94V-0 RATED
 - Contact: Copper Alloy
 - Hold-Down: Copper Alloy
 - Plating:
 - Contact:
 - Underplating: 1.27μm(50u") min. Nickel overall.
 - Contact Area: Gold Plating Over 1.27μm(50u") Nickel underplate.
 - Solder Tail: 2.54μm(100u") min. Tin Over Ni underplate.
 - Hold-Down: 2.54μm(100u") min. Tin over 1.27μm(50u") min. Ni underplate overall

PCE-PWP-26-LF
LEADFREE

RoHS Compliant



PART NO. PCE-PWP-26

DWG NO. PCE-PWP-26

FILE NO.

UNIT / mm

SCALE 1:1

CHECKED BY CY

DRAWING BY

PROJECTION

TOLERANCES ARE

.X ± 0.2

.XX ± 0.1
.XXX ±
AWG

DESCRIP TION:

AREA REVISIONS HK DATE

煜倫股份有限公司