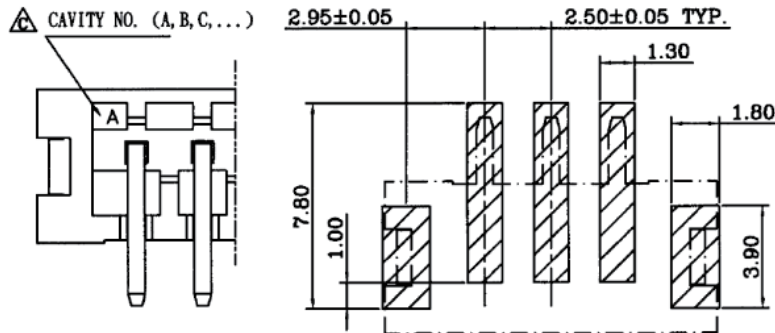
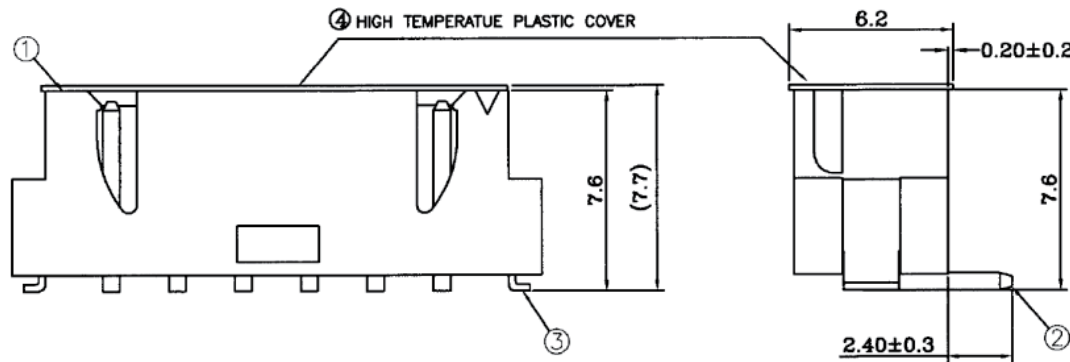


NOTES:

1. MATERIAL:
 - ① BASE: HIGH HDT NYLON 94V-0
 - ② PIN: BRASS, PLATING FOLLOW ORDERING INFORMATION.
 - ③ PEG: BRASS, MATTE TIN-PLATED
 - ④ PICK-AND-PLACE CAP : PI PLASTICES
2. CIRCUITS: 2PIN ~ 15PIN.

DIMENSIONS:

CIRCUITS	DIM.A	DIM.B
2	2.5	10.0
3	5.0	12.5
4	7.5	15.0
5	10.0	17.5
6	12.5	20.0
7	15.0	22.5
8	17.5	25.0
9	20.0	27.5
10	22.5	30.0
11	25.0	32.5
12	27.5	35.0
13	30.0	37.5
14	32.5	40.0
15	35.0	42.5



**P. C. BOARD LAYOUT
(PRINTED CIRCUIT SIDE)**

MORETHANALL
PCB CONNECTORS
Cable ASSEMBLIES

煜倫股份有限公司

www.morethanall.com

RoHS Compliant

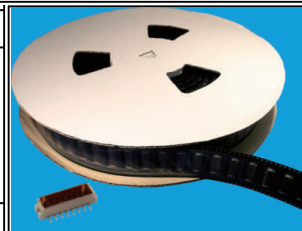
DRAWING BY CY
CHECKED BY GENIUS
UNIT / mm SCALE 1 : 1
DATE

TOLERANCES ARE

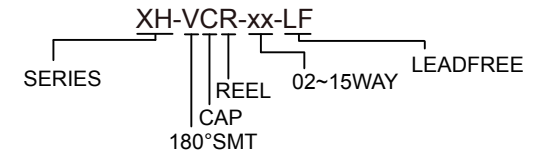
X. ±
.X ±
.XX ±
.XXX ±
ANG ±

SIZE A4

P PROJECTION



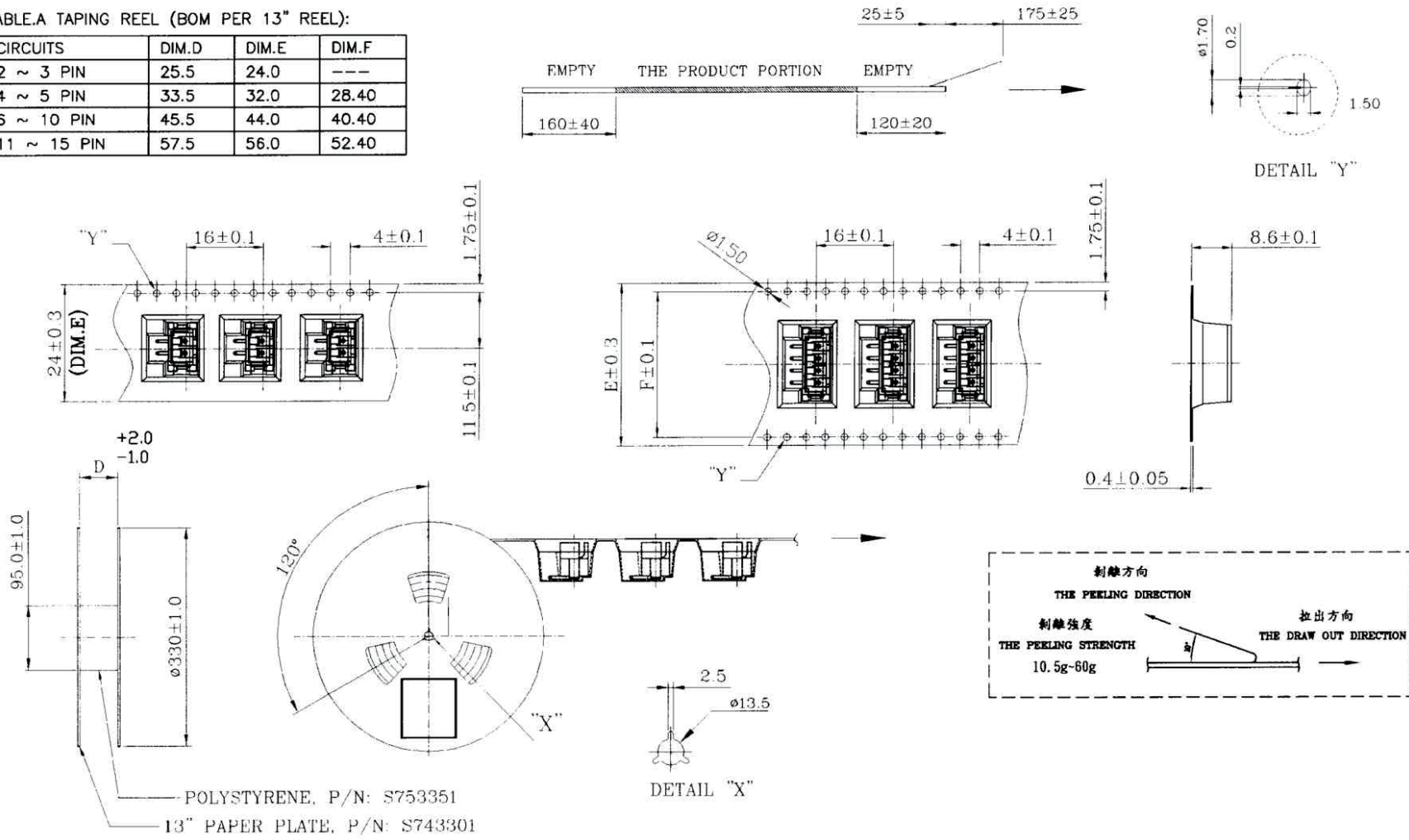
ORDER INFORMATION



DESCRIPTION:

TABLE.A TAPING REEL (BOM PER 13" REEL):

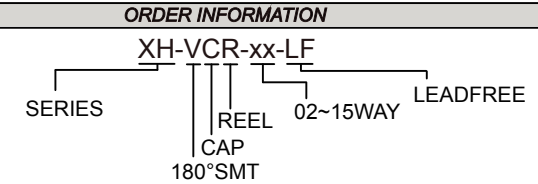
CIRCUITS	DIM.D	DIM.E	DIM.F
2 ~ 3 PIN	25.5	24.0	---
4 ~ 5 PIN	33.5	32.0	28.40
6 ~ 10 PIN	45.5	44.0	40.40
11 ~ 15 PIN	57.5	56.0	52.40



- NOTES: 1 Pitch Tolerance Over Any 10 Pitch±0.20
 2 Material : PS Black-Thickness : 0.4±0.05.
 3 Component Load Per 13" Reel : 500 Pcs.
 4 All dimension meet EIA-481-B requirements.

MORETHANALL
 PCB CONNECTORS
 Cable ASSEMBLIES
煜倫股份有限公司
www.morethanall.com

RoHS Compliant		TOLERANCES ARE
DRAWING BY CY	SCALE 1:1	X, ±
CHECKED BY GENIUS		.X, ±
UNIT/ mm		.XX, ±
DATE		.XXX, ±
SIZE A4		ANG, ±
P PROJECTION		



DESCRIPTION: