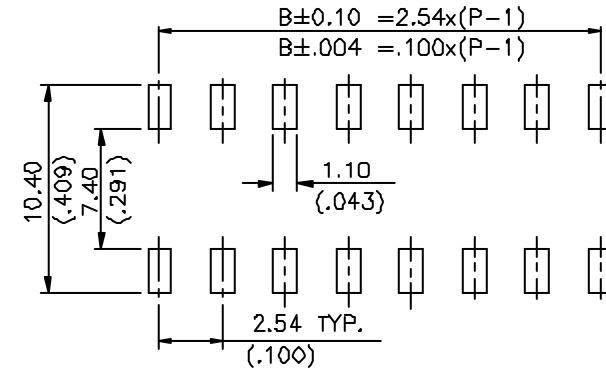
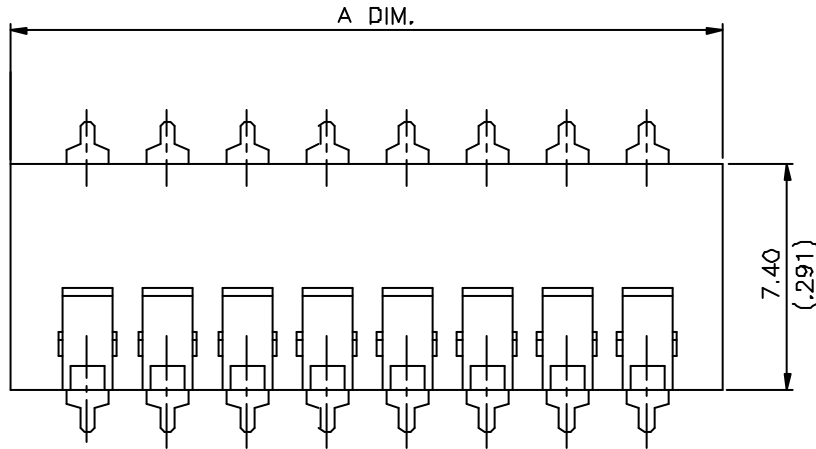


NOTE:

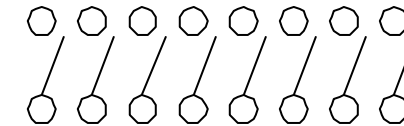
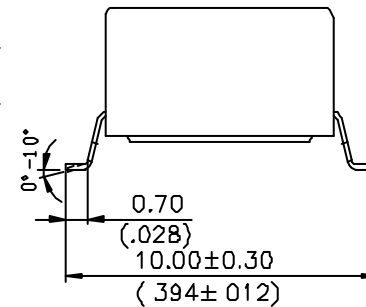
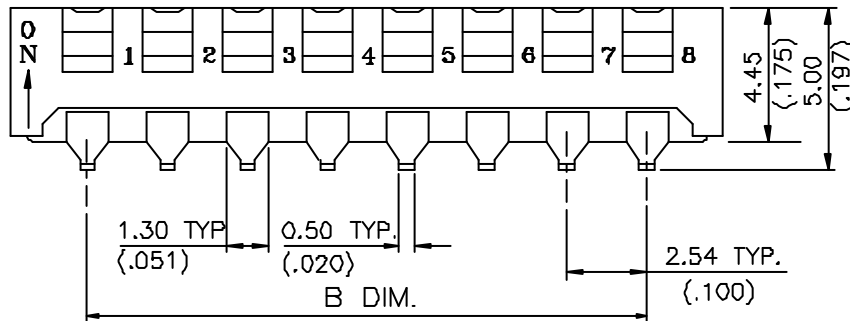
1. ALL DIMENSIONS ARE MILLIMETERS.
BRACKED DIMENSIONS ARE IN INCHES.
2. GENERAL TOLERANCES : DECIMAL DIMENSIONS ± 0.20 [.008]
3. MATERIAL: HIGH-TEMP THERMOPLASTIC UL94V-0

12	32.77 (1.290)	27.94 (1.100)
*10	27.69 (1.090)	22.86 (.900)
9	25.15 (.990)	20.32 (.800)
*8	22.61 (.890)	17.78 (.700)
7	20.07 (.790)	15.24 (.600)
*6	17.53 (.690)	12.70 (.500)
5	14.99 (.590)	10.16 (.400)
*4	12.45 (.490)	7.62 (.300)
3	9.91 (.390)	5.08 (.200)
*2	7.37 (.290)	2.54 (.100)
POS NO.	A DIM	B DIM.

* AVAILABLE.



RECOMMEND PCB LAYOUT



SCHEMATIC (TYP.)
(2 THROUGH 12 POS. AVAIL)

SW-PV-xx-LF

LEADFREE

RoHS Compliant

MORETHANALL
CONNECTORS
ASSEMBLIES

PART NO. SW-PV-xx

DWG NO. SW-PV-xx

FILE NO.

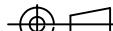
UNIT / mm

SCALE 1:1

CHECKED BY CY

DRAWING BY

PROJECTION



TOLERANCES ARE

.X ± 0.2
.XX ±
.XXX ±
AWG

DESCRIPTION:

IC PIANO TYPE
DIP SWITCH (SMT STYLE)

AREA

REVISIONS

HK

DATE

焜倫股份有限公司