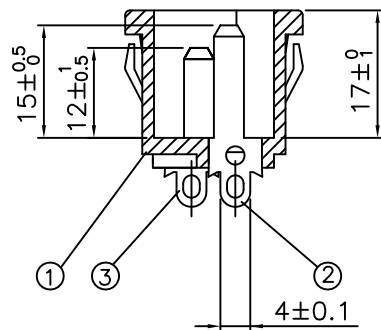


PANEL CUTOUT THICKNESS 0.8mm~1.5mm



- 1 Body Insulator Nylon A216-BK
- 2 Contact PIN Bronze Strip t=2mm Tin-Plated
- 3 Contact PIN Bronze Strip t=2mm Tin-Plated

10A/15A 250V AC	
UL	NO: E102641
CSA	NO: LR 65612
VDE	NO: 62435
SEV	NO: 98,5 50908,01
FIMKO	NO: 173790-01
DEMKO	NO: 103171
KEMA	NO: 9 16468
NEMKO	NO: L 85771
SEMKO	NO: 9125148

一般公差	
尺寸範圍	容許公差
0~10	±0.3
10~100	±0.5
100~150	±0.8
150~250	±1

RoHS Compliant

TOLERANCES ARE

MORETHANALL
PCB CONNECTORS
Cable ASSEMBLIES

DRAWING BY CY

CHECKED BY GENIUS

UNIT / mm

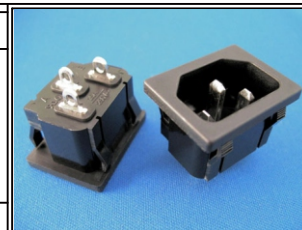
SCALE 1 : 1

DATE

SIZE A4

PJECTION

X, ±
.X ±
.XX ±
.XXX ±
ANG ±



ORDER INFORMATION

ACF-PS4PA-03-LF
SERIES | | LEADFREE
| | 03 WAY
| | PANEL FRONT
| | 4.0mm SOLDER
MALE

煜倫股份有限公司

www.morethanall.com

DESCRIPTION: