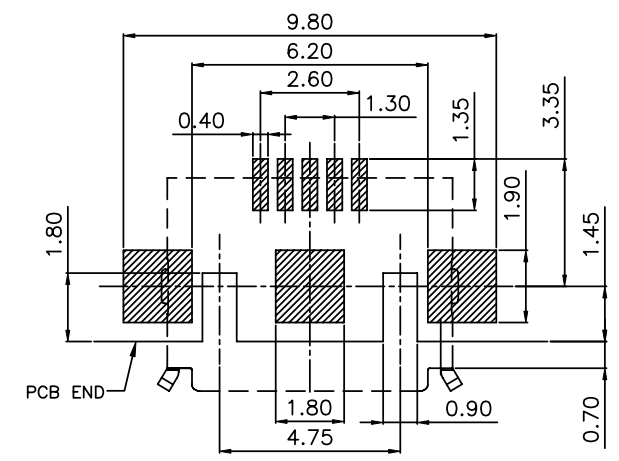


ITEM	PARTS NAME	Q'TY	MATERIAL	FINISH/REMARK
1	SHELL	1	STAINLESS	20u" NICKEL, 100u" TIN
2	CONTACT	5	COPPER ALLOY	Gold flash Plating Over All 15u" Gold flash on Contact AREA
3	HOUSING	1	SYNTHETIC RESIN	(Black)



RECOMMENDED P.C. BOARD LAYOUT  
(TOLERANCE: ±0.05mm)

**SPECIFICATION**  
**MATERIAL**  
 See drawing  
**STANDARD DATA**  
 Rating current: (1&5PIN)2.0A; (2&3&4PIN)0.5A  $\Delta$   
 Operating temperature: -30°C ~ +70°C  
 Storage temperature: -10°C ~ +60°C  
**ELECTRICAL**  
 Insulator resistance: 100m ohms Min. @ 500 VDC  
 Withstanding voltage: 100 VAC / minute  
 Contact resistance: 60 m ohms  
**MECHANICAL**  
 Mating force: 30N(3.06kgf) Max.  
 Unmating force (Without lock): 8N(0.81kgf) Min.  
 Durability: 10000 cycles Min.  
 Contact retention force: 2.1N(0.21kgf) Min

RoHS Compliant

TOLERANCES ARE



煜倫股份有限公司

www.morethanall.com

DRAWING BY CY

CHECKED BY GENIUS

UNIT / mm SCALE 1 : 1

DATE

SIZE A4 PPROJECTION

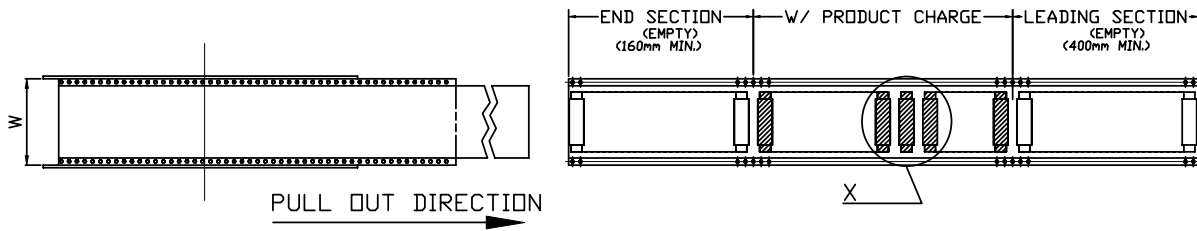
X, ±  
 .X ± 0.20  
 .XX ± 0.10  
 .XXX ± 0.08  
 ANG ± 5°



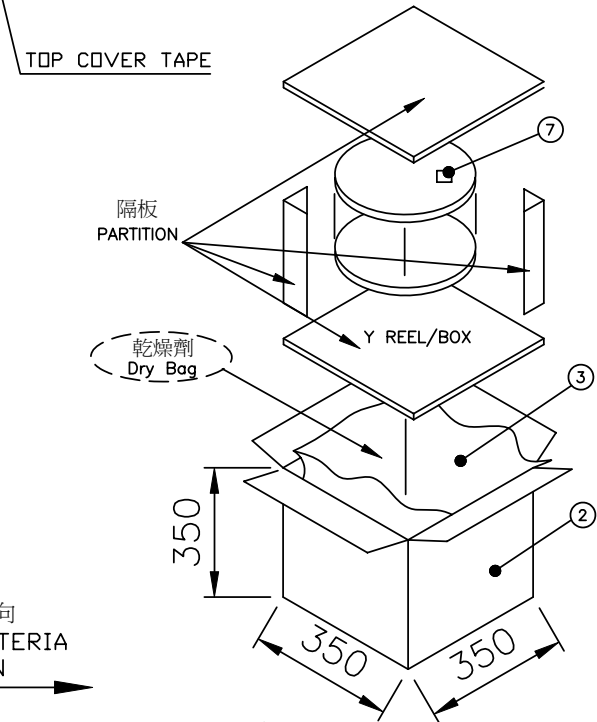
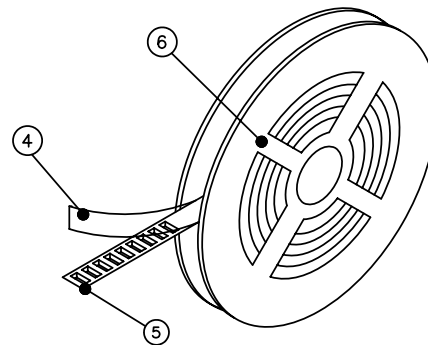
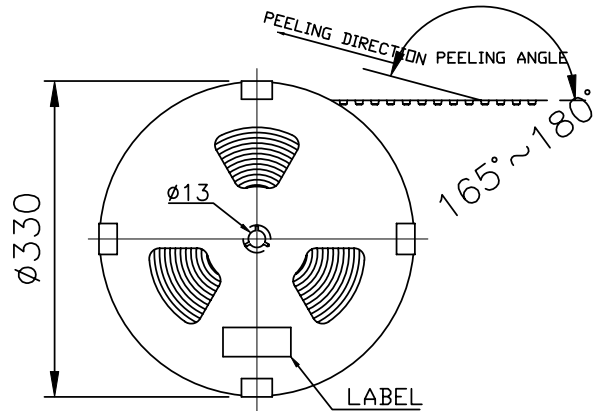
ORDER INFORMATION

MISB-SWRVER-5B-LF  
 SERIES | | | | LEADFREE  
 | | | | 5 PIN B TYPE  
 FEMALE | | | | REEL  
 90°SMT | | | | REVERSED

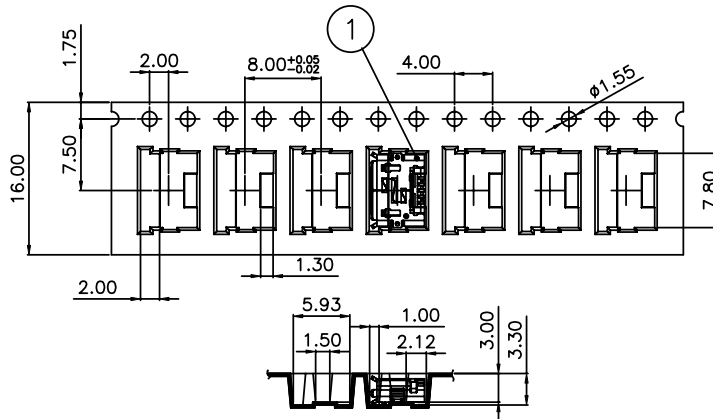
DESCRIPTION:



ITEM 項目	PARTS NAME 零件名稱	FINISH/REMARK 處理/備註
1	I/O CONNECTOR	20000 PCS/BOX
2	BOX	10PCS REEL/BOX
3	WATERPROOF BAG	1 PCS
4	REEL	2000PCS/REEL
5	COVER TAPE	Wide=16mm
6	CARRIER TAPE	14.5/REEL
7	LABEL	批號標籤



收料方向  
CATHER MATERIAL  
DIRECTION



客戶放料方向  
INPUT MATERIA  
DIRECTION

SEC B-B

NOTES  
 1.MATERIAL: PS (Color: 黑色)  
 2.DEFORMATION(變形)&DAMAGE(損壞): NA.(不可)  
 3.All dimensions meet EIA-481-C requirements.

RoHS Compliant

TOLERANCES ARE

**MORETHANALL**  
PCB CONNECTORS  
Cable ASSEMBLIES

DRAWING BY CY

X, ±

CHECKED BY GENIUS

.X ± 0.20

UNIT / mm

SCALE 1 : 1

.XX ± 0.10

DATE

.XXX ± 0.08

ANG ± 5°

SIZE A4

PJECTION



ORDER INFORMATION

MISB-SWRVER-5B-LF

SERIES | | | | LEADFREE

| | | | 5 PIN B TYPE

FEMALE | | | REEL

90°SMT | | | EAR REVERSED

煜倫股份有限公司

www.morethanall.com

DESCRIPTION: