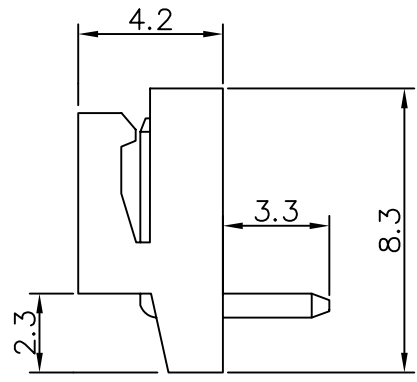
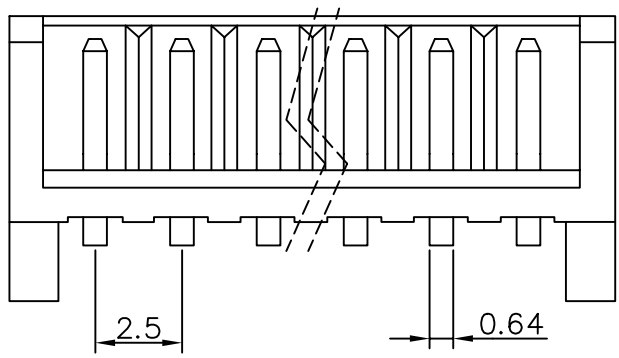


RECOMMENDED PCB LAYOUT

SPECIFICATION
 Material : Nylon UL 94V-0
 Contact : Phosphor bronze
 Current rating : 1A, AC/DC
 Voltage rating : 125V, AC/DC
 Standard color : white
 2-15 circuits available



Circuits	A	B	Circuits	A	B
2	2.50	7.50	9	20.00	25.00
3	5.00	10.00	10	22.50	27.50
4	7.50	12.50	11	25.00	30.00
5	10.00	15.00	12	27.50	32.50
6	12.50	17.50	13	30.00	35.00
7	15.00	20.00	14	32.50	37.50
8	17.50	22.50	15	35.00	40.00



煜倫股份有限公司

PART NO. EH-R-xx		CHECKED BY CY		TOLERANCES ARE .X ± 0.2 .XX ± .XXX ± AWG	DESCRIP TION:				
DWG NO. EH-R-xx		DRAWING BY							
FILE NO.		PROJECTION		AREA	REVISIONS	HK	DATE		
UNIT / mm	SCALE 1:1								