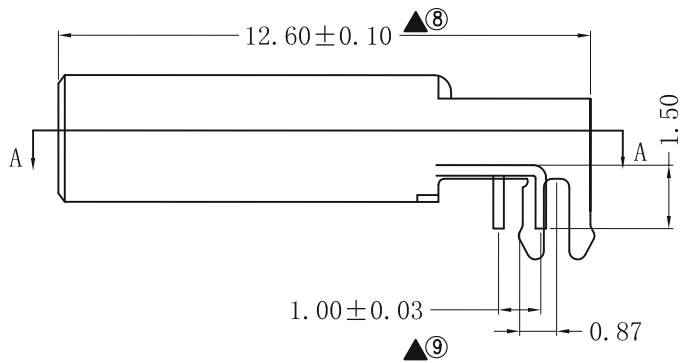


MSB-PRRV-5B-LF
LEADFREE
RoHS Compliant



備註：

- 1.材料：
 - 1.1.HOUSING：LCP GLASS FIBRE, UL94V-0;
 - 1.2.SHELL：SPCC T=0.3,.
 - 1.3.CONTACT：C2680 T=0.25；
- 2.電鍍：
 - 2.1.SHELL：ALL [ⓧ]PLATING Ni 100u"min
 - 2.2.CONTACT：接觸部份 GOLD FLASH；其餘部份 Sn100u"
- 3.OTHERS：
 - 3.1.A~E IS THE CONTACT RELATIVE POSITIVE POSITION IN 5 PCS.
 - 3.2.MARKED IS THE ORDER OF CHEKING.
 - 3.3.MARKE IS THE MAJOR DIMENSION

MORETHANALL
CONNECTORS
ASSEMBLIES

PART NO. MSB-PRRV-5B

DWG NO. MSB-PRRV-5B

CHECKED BY CY

TOLERANCES ARE

DESCRIP TION:

FILE NO.

DRAWING BY

.X ± 0.2

.XX ± 0.1

.XXX ±

AWG

AREA

REVISIONS

HK

DATE

煜倫股份有限公司

UNIT / mm

SCALE 1:1

PROJECTION

