

LTR	PART NAME	QTY	MATERIAL	REMARK
6	COVER	1	PF	
5	CONTACT FOOT	1	C2680	MB:Cu Cu/Sn PLATED
4	PIN	1	C2680	MB:Cu Ni PLATED
3	SPRING	1	65Mn STEEL	MB:Cu Cu/Sn PLATED
2	FLAT PIECE	1	C2680	MB:Cu Cu/Sn PLATED
1	HOUSING	1	PBT	

UNLESS OTHERWISE SPECIFIED, TOLERANCE ON DECIMAL: ±0.3

RoHS Compliant

TOLERANCES ARE

MORETHANALL
PCB CONNECTORS
Cable ASSEMBLIES

煜倫股份有限公司

www.morethanall.com

DRAWING BY CY

CHECKED BY GENIUS

UNIT / mm SCALE 1:1

DATE

SIZE A4

P PROJECTION

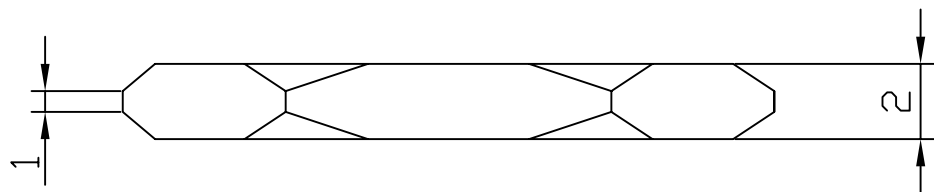
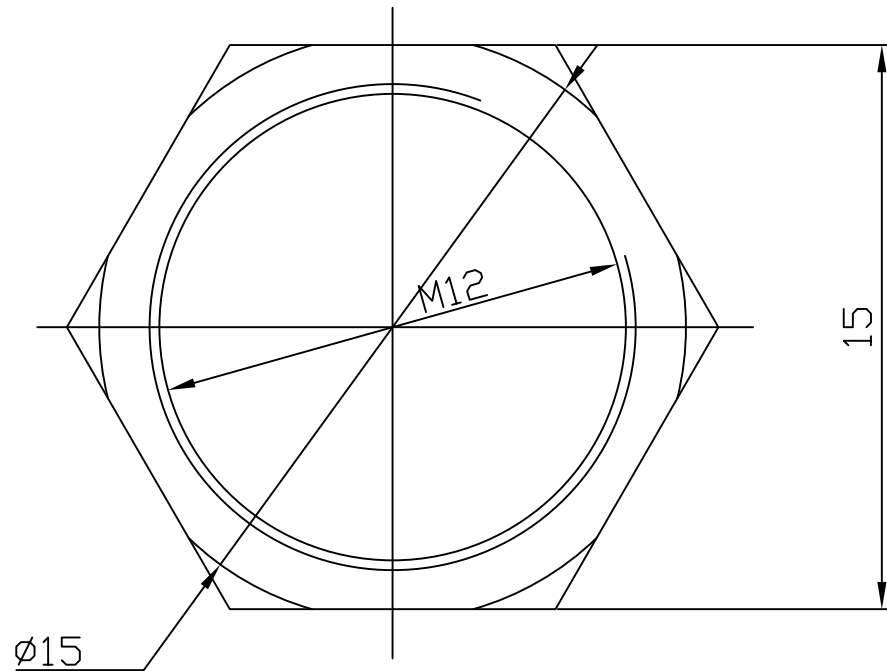
X. ±
.X ±
.XX ±
.XXX ±
ANG ±



ORDER INFORMATION

DCJ-SPBHN-xx-LF
SERIES | NUT | H TYPE | PANEL BACK | SOLDER | LEADFREE
20:2.0∅
25:2.5∅

DESCRIPTION: DC POWER JACK



1	NUT	1	PBT	
LTR	PART NAME	QTY	MATERIAL	REMARK

RoHS Compliant

TOLERANCES ARE

MORETHANALL
PCB CONNECTORS
Cable ASSEMBLIES

DRAWING BY CY

X.±

CHECKED BY GENIUS

.X±

UNIT / mm

SCALE 1:1

.XX±

DATE

.XXX±

ANG±

煜倫股份有限公司

www.morethanall.com

SIZE A4

PPOJECTION



ORDER INFORMATION

DCJ-SPBHN-xx-LF
 SERIES | NUT | H TYPE | PANEL BACK | SOLDER | 20:2.0Ø | 25:2.5Ø | LEADFREE

DESCRIPTION: NUT