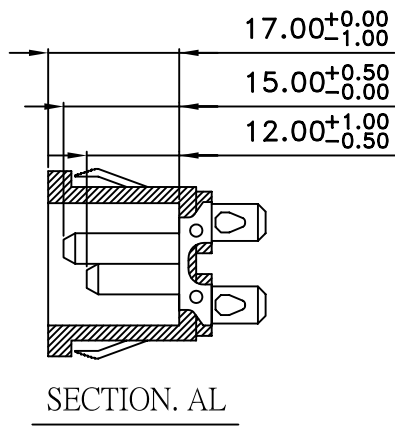
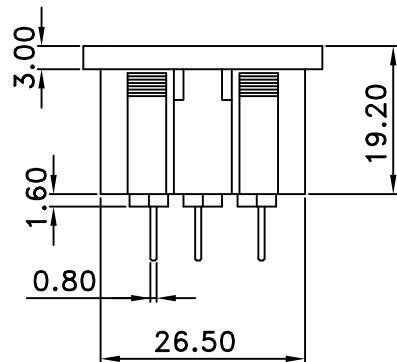
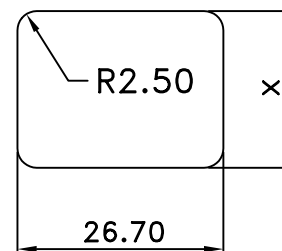


THICKNESS:
0.8 ~ 3.0t (X=20.3)



10A/15A 250V~

1. SOLDERING: PIN BRASS STRIP 0.8t TIN PLATING
2. CONTACT: PIN BRASS STRIP 4t TIN PLATING
3. BODY INSULATOR: NYLON 66 UL94V-0

TERMINAL		CODE XX
4.8mm (187") SOLDER /Q.D. TABS		ACF-PQ4PA-03
4.0mm SOLDER TABS		ACF-PS4PA-03
2.5mm SOLDER TABS		ACF-PS2PA-03
6.3mm (250") FAST-ON TABS		ACF-PQ6PA-03

MORETHANALL
CONNECTORS
ASSEMBLIES

PART NO. ACF-PQ4PA-03

DWG NO. ACF-PQ4PA-03

FILE NO.

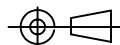
UNIT / mm

SCALE 1:1

CHECKED BY CY

DRAWING BY

PROJECTION



TOLERANCES ARE

.X ±
.XX ±
.XXX ±
AWG

DESCRIPTION:

AREA

REVISIONS

HK

DATE

焯倫有限公司