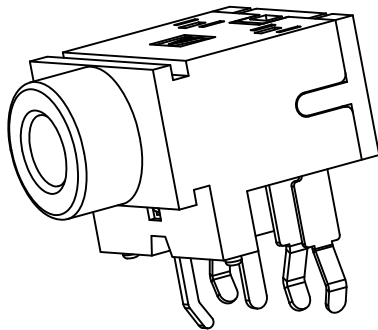
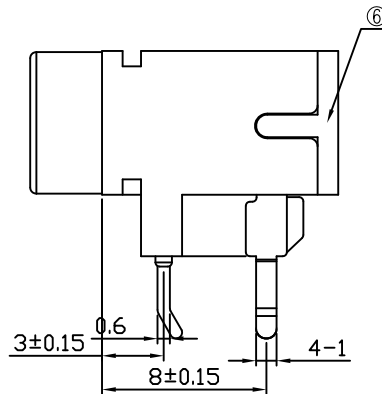
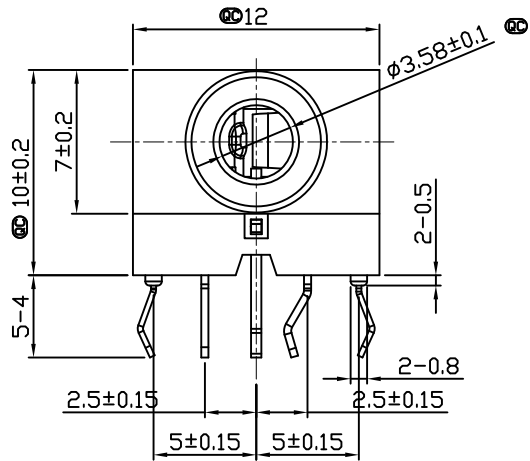
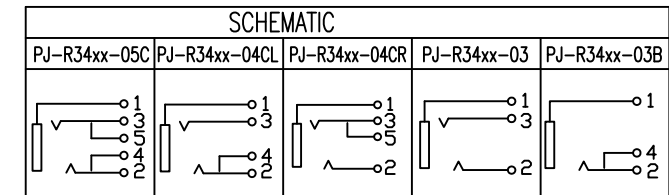


PCB LAYOUT TOP VIEW



MODEL NO.	COLOR
PJ-R34-xxx	BLACK
PJ-R34GR-xxx	GREEN
PJ-R34PK-xxx	PINK
PJ-R34BL-xxx	BLUE
PJ-R34OR-xxx	ORANGE



NO.	DESCRIPTION	QTY	MATERIAL	REMARK
7	HOUSING	1	PBT (Black)	
6	COVER	1	PBT (Black)	
5	TERMINAL	1	BRASS t=0.35	Ag-Plated
4	TERMINAL	1	BRASS t=0.35	Ag-Plated
3	TERMINAL	1	PHOSPHOR BRONZE t=0.25	Ag-Plated
2	TERMINAL	1	PHOSPHOR BRONZE t=0.25	Ag-Plated
1	TERMINAL	1	PHOSPHOR BRONZE t=0.50	Ag-Plated

RoHS Compliant

TOLERANCES ARE

MORETHANALL
PCB CONNECTORS
Cable ASSEMBLIES

DRAWING BY CY

X.±

CHECKED BY GENIUS

.X±

UNIT / mm

SCALE 1 : 1

.XX±

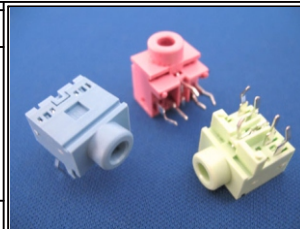
DATE

.XXX±

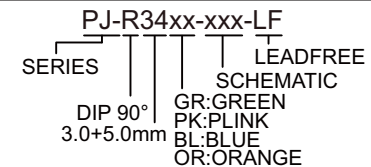
ANG ±

SIZE A4

P PROJECTION



ORDER INFORMATION



DESCRIPTION:

煜倫股份有限公司

www.morethanall.com