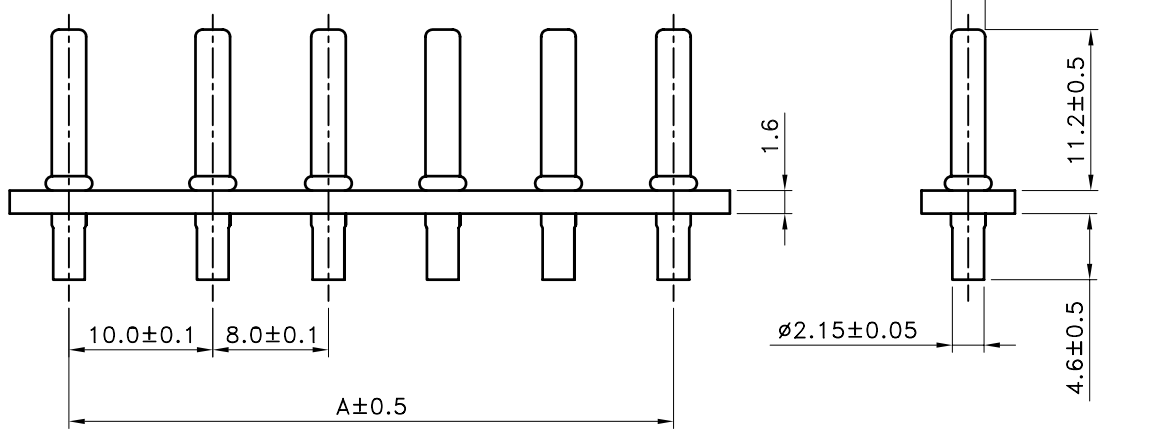
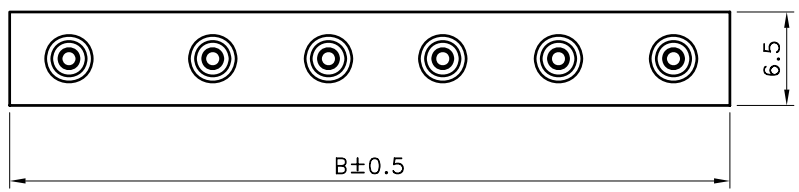
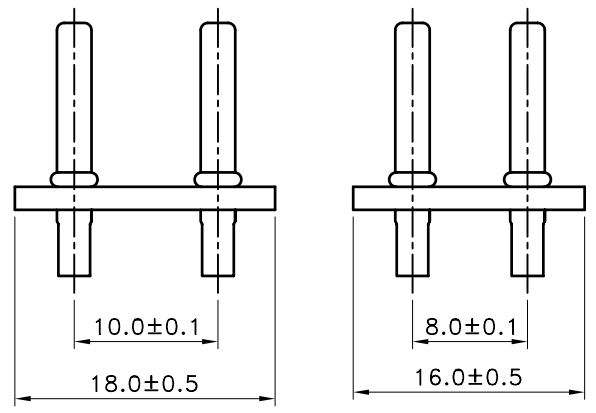


Recommended PCB Layout



- SPECIFICATIONS**
- Voltage Rating : 125V AC/DC
 - Current Rating : 3A AC/DC
 - Withstanding Voltage : 1,500V AC/minute
 - Insulation Resistance : 1,000MΩ min.
 - Temperature Range : - 25°C to + 85°C
 - Contact Resistance : 20mΩ max.

- WAFER**
- Poles : 1 - 6
 - Material : Contact : Brass, Tin plated
Base : Phenolic Bakelite UL94V-0
 - Q' ty : 1,000 pcs./Bag

LV-B-xx-LF
LEADFREE

RoHS Compliant

Poles	Part No.	Dimensions(mm)	
		A	B
1	LV-B-01	---	6.50
2	LV-B-02	See the Drawing	
3	LV-B-03	10.0+(8.0x1)	26.00
4	LV-B-04	10.0+(8.0x2)	34.00
5	LV-B-05	10.0+(8.0x3)	42.00
6	LV-B-06	10.0+(8.0x4)	50.00



PART NO. LV-B-xx
 DWG NO. LV-B-xx
 FILE NO.
 UNIT / mm SCALE 1:1

CHECKED BY CY
 DRAWING BY
 PROJECTION

TOLERANCES ARE
 .X ±
 .XX ±
 .XXX ±
 AWG

DESCRIP TION:				
AREA	REVISIONS	HK	DATE	

煜倫股份有限公司