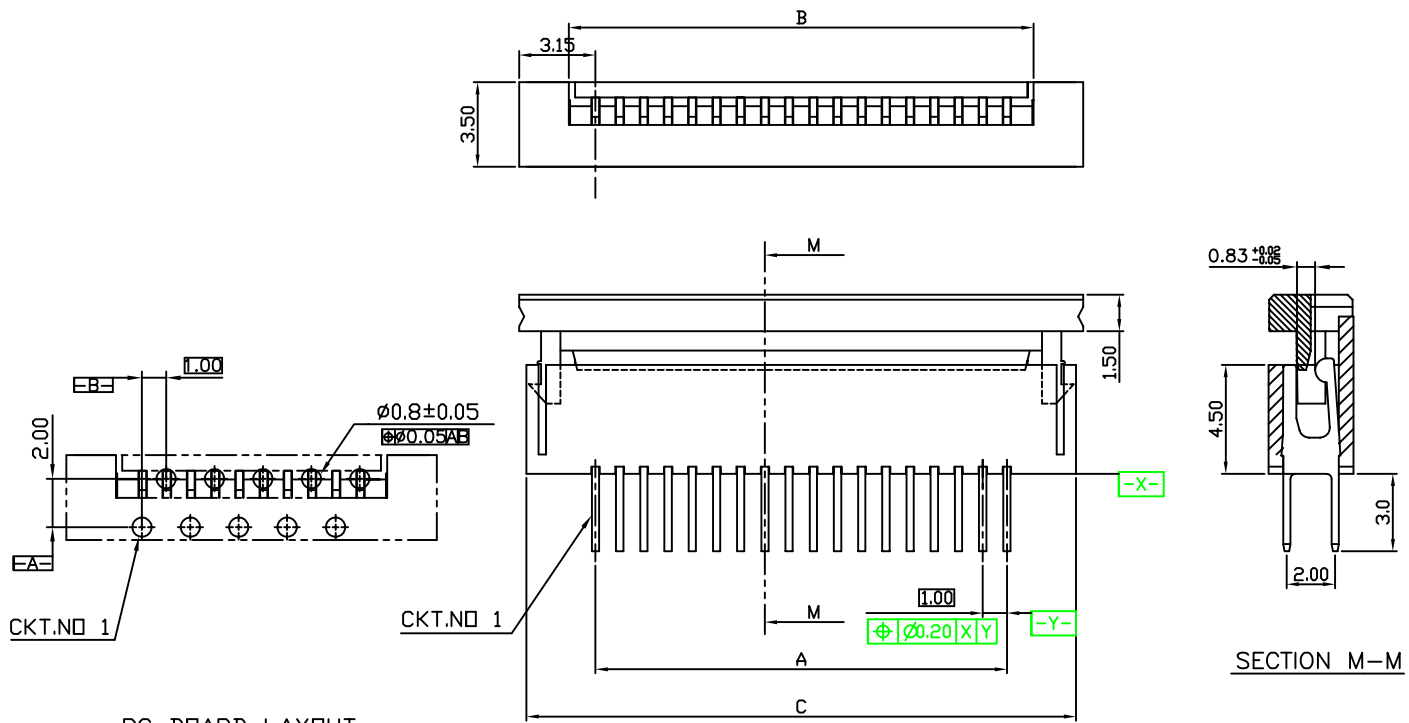


1 2 3 4 5 6 7 8 9 0

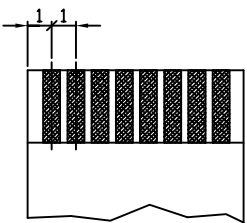
J
I
H
G
F
E
D
C
B
A



PC BOARD LAYOUT:
COMPONENT SIDE

NOTE:

- 1.MATERIAL:
- INSULATOR: NYLON (UL 94V-0)
- COVER: P.P.A.
- TERMINAL: PHOSPHOR BRONZE



FFC/FPC DIMENSION
THICKNESS 0.3mm
TOLERANCE: 0.05mm

FPA-DZAL60-xx-LF
LEADFREE

RoHS Compliant

30	29.00	31.20	35.00
29	28.00	30.20	34.00
28	27.00	29.20	33.00
27	26.00	28.20	32.00
26	25.00	27.20	31.00
25	24.00	26.20	30.00
24	23.00	25.20	29.00
23	22.00	24.20	28.00
22	21.00	23.20	27.00
21	20.00	22.20	26.00
20	19.00	21.20	25.00
19	18.00	20.20	24.00
18	17.00	19.20	23.00
17	16.00	18.20	22.00
16	15.00	17.20	21.00
15	14.00	16.20	20.00
14	13.00	15.20	19.00
13	12.00	14.20	18.00
12	11.00	13.20	17.00
11	10.00	12.20	16.00
10	9.00	11.20	15.00
9	8.00	10.20	14.00
8	7.00	9.20	13.00
7	6.00	8.20	12.00
6	5.00	7.20	11.00
5	4.00	6.20	10.00
4	3.00	5.20	9.00
3	2.00	4.20	8.00
CKT	DIM A	DIM B	DIM C



PART NO. FPA-DZAL60-xx

DWG NO. FPA-DZAL60-xx

CHECKED BY CY

TOLERANCES ARE

DESCRIP TION:

**ZIF FFC/FPC CONN.
1.00mm, ASS'Y(DIP)**

煜倫股份有限公司

FILE NO.

DRAWING BY

- .X ± 0.2
- .XX ± 0.1
- .XXX ±
- AWG

AREA

REVISIONS

HK

DATE

UNIT / mm

SCALE 1:1

PROJECTION