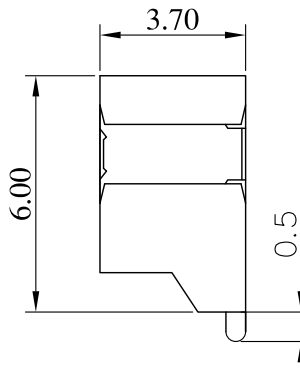
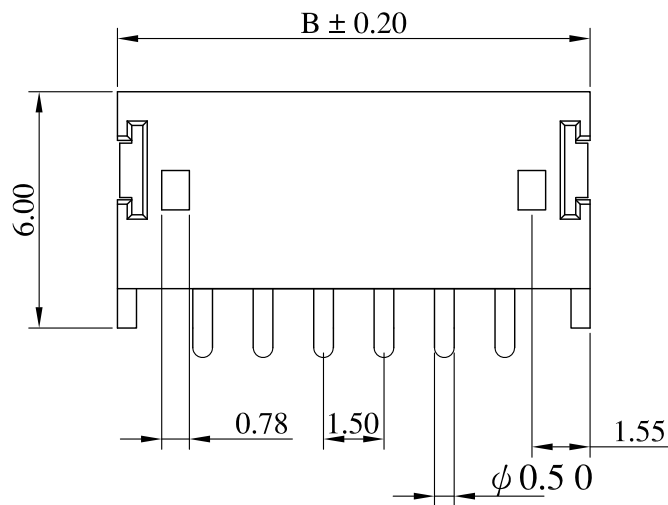


RECOMMENDED P.C.BOARD HOLE DIMM.

## SPECIFICATIONS

Current rating : 1A AC,DC  
 Voltage rating : 100V AC,DC  
 Temperature range : -25°C to +85 °C  
 Contact resistance : 20m Ω Max.  
 Insulation resistance : 500M Ω Min.  
 Withstanding voltage : 500V AC/minute  
 Material : Pin-Brass/Tin-plated  
 Base-Nylon 6T, UL94V-0



### Ordering Information & Dimensions

Poles	Dimension (mm)			Part No.	Note.
	A	B	C		
2	1.50	6.00	3.60	ZH-W-02	
3	3.00	7.50	5.10	ZH-W-03	
4	4.50	9.00	6.60	ZH-W-04	
5	6.00	10.50	8.10	ZH-W-05	
6	7.50	12.00	9.60	ZH-W-06	
7	9.00	13.50	11.10	ZH-W-07	
8	10.50	15.00	12.60	ZH-W-08	
9	12.00	16.50	14.10	ZH-W-09	
10	13.50	18.00	15.60	ZH-W-10	
11	15.00	19.50	17.10	ZH-W-11	
12	16.50	21.00	18.60	ZH-W-12	
13	18.00	22.50	20.10	ZH-W-13	

RoHS Compliant

TOLERANCES ARE

**MORETHANALL**  
 PCB CONNECTORS  
 Cable ASSEMBLIES

DRAWING BY CY

CHECKED BY GENIUS

UNIT / mm SCALE 1 : 1

DATE

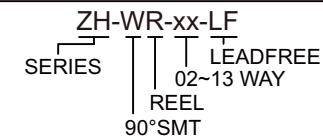
SIZE A4

X, ±  
 X, ±  
 .XX ±  
 .XXX ±  
 ANG ±

PJECTION



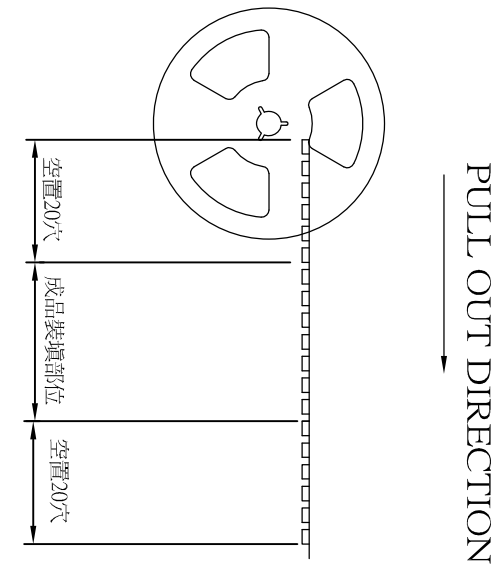
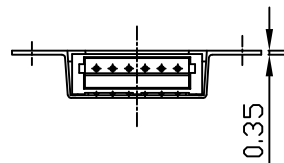
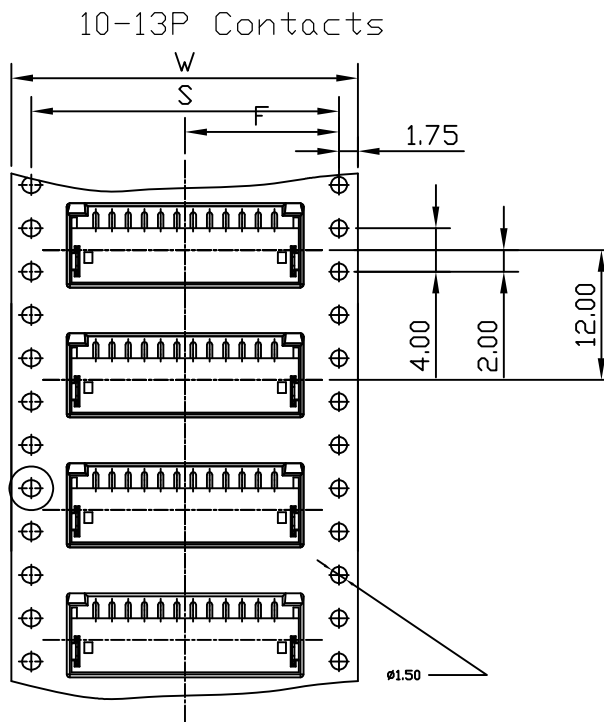
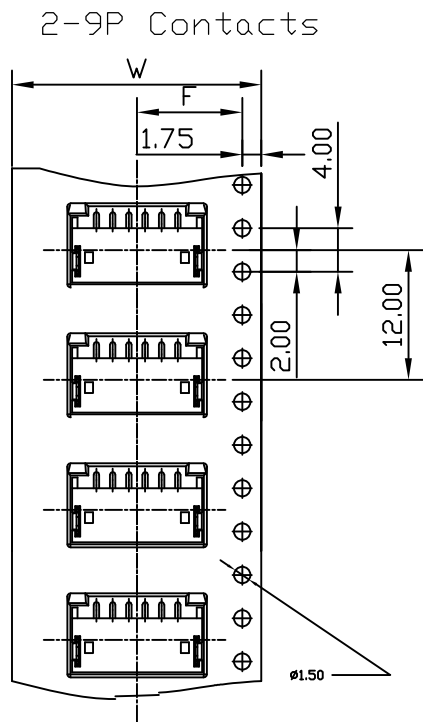
ORDER INFORMATION



DESCRIPTION: 1.50mm Wire-to-Board Header SMD 90° TYPE

煜倫股份有限公司

www.morethanall.com



P=Poles	W	F	S	Q'TY/Reel
02	16	7.50		1000PCS
03	16	7.50		1000PCS
04	16	7.50		1000PCS
05	24	11.5		1000PCS
06	24	11.5		1000PCS
07	24	11.5		1000PCS
08	24	11.5		1000PCS
09	24	11.5		1000PCS
10	32	14.2		28.4
11	44	20.2	40.4	1000PCS
12	44	20.2	40.4	1000PCS
13	44	20.2	40.4	1000PCS

RoHS Compliant

TOLERANCES ARE

**MORETHANALL**  
PCB CONNECTORS  
Cable ASSEMBLIES

DRAWING BY CY

X, ±

CHECKED BY GENIUS

.X ± 0.25

UNIT / mm

SCALE 1 : 1

.XX ± 0.15

DATE

.XXX ±

ANG ±

SIZE A4

PJECTION



ORDER INFORMATION

ZH-WR-xx-LF  
SERIES | LEADFREE  
02~13 WAY  
REEL  
90°SMT

煜倫股份有限公司

www.morethanall.com

DESCRIPTION: 1.5mm Wire-to-Board Header SMT 90° Type Tape&Reel