

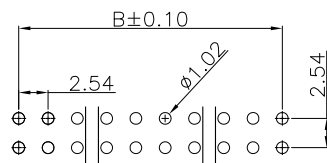
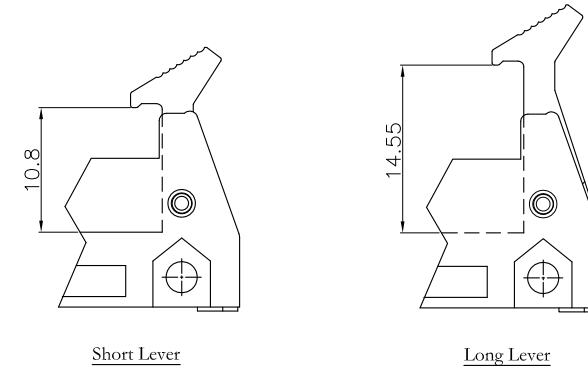
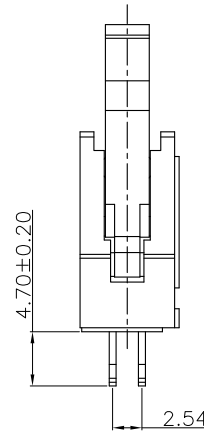
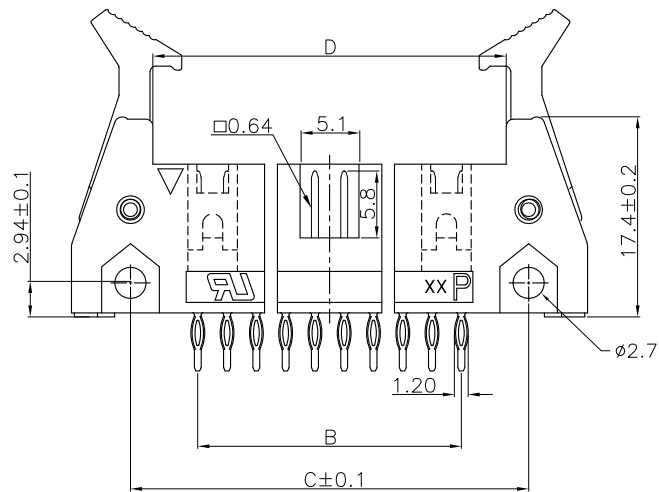
Material:

Housing: 30% Glass Filled PBT UL94V-0.
 Contacts: Brass.

Electrical Characteristics:

Current Rating: 2 AMP.
 Dielectric Withstanding Voltage: AC 1000V For 1 minute.
 Insulator Resistance: 1000MΩ min. at DC 500V.
 Contact Resistance: 20mΩ max. at DC 100mA.
 Operating Temperature: -40°C ~ +105°C .

***RoHS Compliant**



P.C. Board Layout

Position	Dimension			
	A	B	C	D
10	31.88	10.16	21.84	17.96
14	37.02	15.24	26.92	23.04
16	39.52	17.78	29.46	25.58
20	44.74	22.86	34.54	30.66
26	52.20	30.48	42.16	38.28
30	57.28	35.56	47.24	43.36
34	62.40	40.64	52.32	48.44
40	70.04	48.26	59.94	56.06
50	82.72	60.96	72.64	68.76
60	95.40	73.66	85.34	81.46
64	100.50	78.74	90.42	86.54

RoHS Compliant

TOLERANCES ARE

MORETHANALL
 PCB CONNECTORS
 Cable ASSEMBLIES

煜倫股份有限公司

www.morethanall.com

DRAWING BY CY

CHECKED BY GENIUS

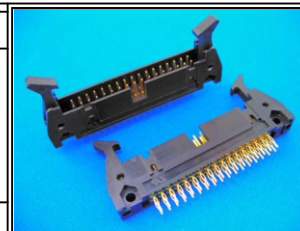
UNIT / mm SCALE 1 : 1

DATE

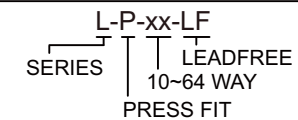
SIZE A4

X. ±
 .X ±
 .XX ±
 .XXX ±
 ANG ±

P PROJECTION



ORDER INFORMATION



DESCRIPTION: