

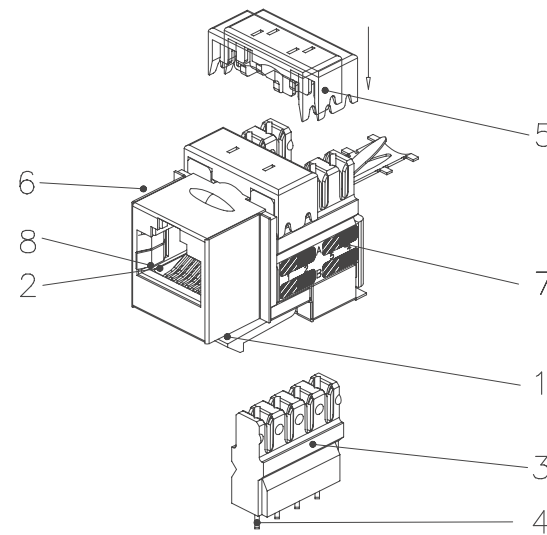
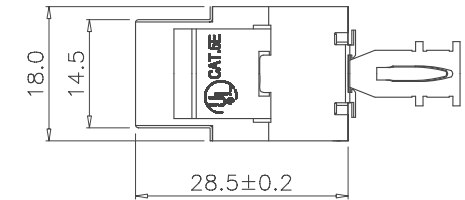
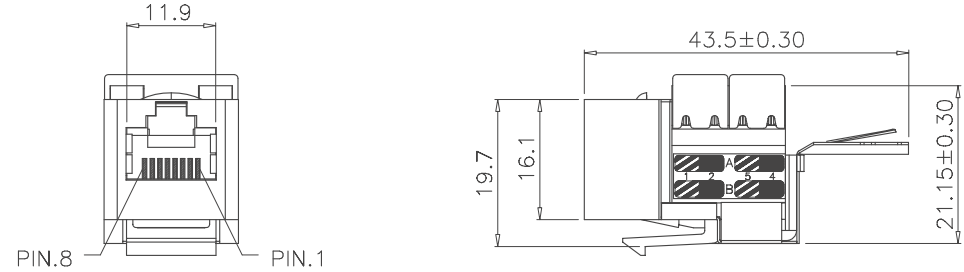
Specifications :

Material :

1. RJ45 Jack Housing : ABS+PC, UL 94V-0.
2. RJ45 Jack Contact material & finished :
2-1. Contact Material : Phosphor Bronze with 50-60 micro-inch Nickel plated.
2-2. Contact area : Min. 3mm 50 micro-inch Gold plated.
3. IDC Housing : PC+5%GF, UL 94V-2.
4. IDC Terminal material & finished :
4-1. Phosphor Bronze with 50-60 micro-inch Tin plated.
4-2. Compatible with both 110 & Krone punch down tools.
4-3. Suitable for 22-26 AWG stranded and solid wire.
5. IDC CAP : ABS, UL 94-HB.
6. Shield : Bronze with Nickel plated.
7. IDC Bracket : ABS, UL94V-0.
8. Jack Insert : PBT+15%GF, UL94V-0.

Performance :

- a. The sticker color codes combine two wirings of T568A & T568B.
- b. Insertion Force : 900 gm for 8 contacts.
- c. Retention Strength : 7.7 kg between Jack and Plug.
- d. Operating Temperature : -20°C to 70°C.
- e. Durability :
e-1. Jack : 750 cycles Plug-Jack mating and unmating test, Insertion cycles at 20 cycles/minute max. Contact resistance test per 100 cycles.
e-2. IDC : Max. 200 punching times.
- f. The Cat.5e performance is in compliance with the ANSI/TIA/EIA 568 B.2 standard.



IDC(KDA)
Krone 45°-110 Dual
SCALE 1/1

RoHS Compliant

MORETHANALL
CONNECTORS
ASSEMBLIES

煜倫股份有限公司

PART NO. MJK16CE-TWH50-0808		CHECKED BY CY		TOLERANCES ARE .X ± 0.2 .XX ± .XXX ± AWG	DESCRIP TION: Cat.5e Half Shielded, KRONE Dual IDC				
DWG NO. MJK16CE-TWH50-0808		DRAWING BY			AREA	REVISIONS	HK	DATE	
FILE NO.		PROJECTION							
UNIT / mm	SCALE 1:1								