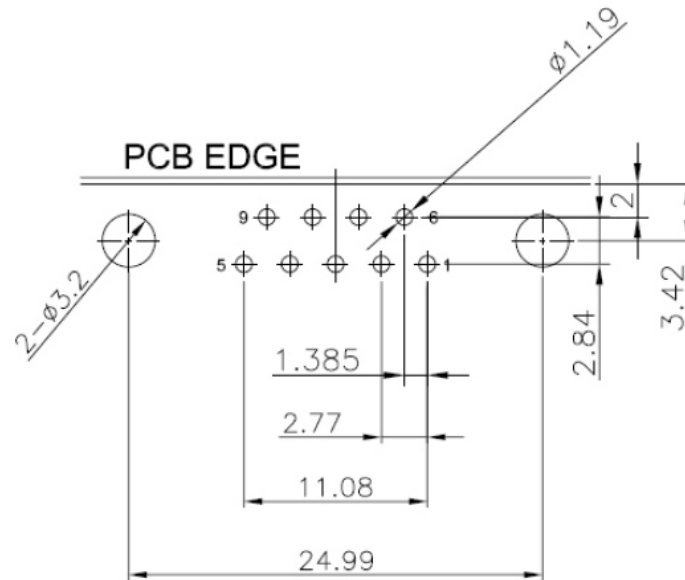
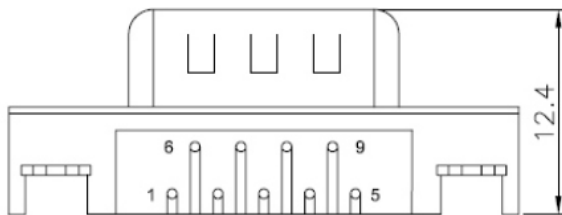


MATERIAL:

INSULATOR : PBT+30% GLASS FIBER (UL 94V-0) .
 CONTACT : COPPER ALLOY
 CONTACT FINISH : GOLD OVER NICKEL
 SHELL : STEEL ,NICKEL PLATED
 BOARDLOCK : BRASS,TIN PLATED
 RIVETED INSERT : BRASS,NICKEL PLATED

SPECIFICATION:

CURRENT RATING : 5 AMP
 DIELECTRIC WITHSTANDING VOLTAGE : 1000V AC FOR 1 MINUTE.
 INSULATION RESISTANCE : 1000MΩ MIN. AT 500V DC.
 CONTACT RESISTANCE : 15mΩ MAX.
 OPERATING TEMPERATURE : -55°C ~ +105°C.



DR20-PN-09-LF

LEADFREE

ROHS Compliant



PART NO. **DR20-PN-09**

DWG NO. **DR20-PN-09**

FILE NO.

UNIT / mm

SCALE 1:1

CHECKED BY CY

DRAWING BY

PROJECTION

TOLERANCES ARE

.X±0.2
.XX±
.XXX±
AWG

DESCRIPTION:

AREA

REVISIONS

HK

DATE

煜倫股份有限公司