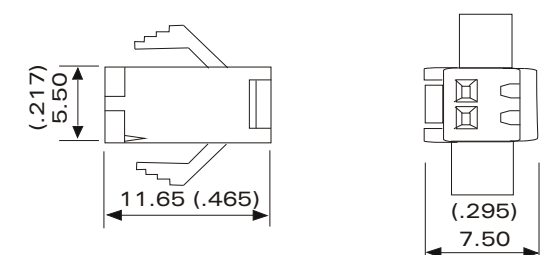
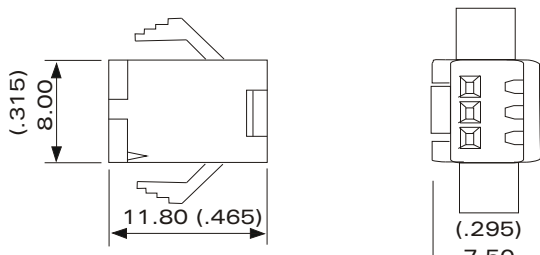
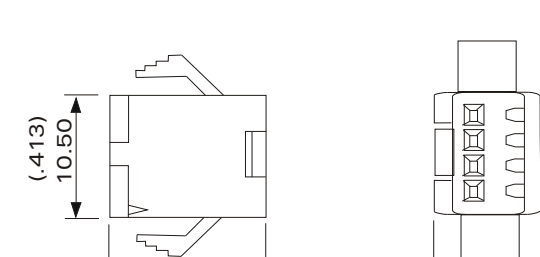



Circuits	Max-Rated		Dimensional Information
	Amps	Voltage	
2	3A	250V	
3	3A	250V	
4	3A	250V	

SM Series Housing
 * Material : Nylon UL 94V-2
 * Standard color : black
 * 2-12 circuits available
 mm (inch)

SM-S-xx-LF
 |
LEADFREE

RoHS Compliant



PART NO. SM-S-xx		CHECKED BY CY		TOLERANCES ARE .X ± 0.2 .XX ± .XXX ± AWG	DESCRIP TION:			
DWG NO. SM-S-xx		DRAWING BY				AREA	REVISIONS	HK
FILE NO.		PROJECTION 						
UNIT / mm		SCALE 1:1						

煜倫股份有限公司

	1	2	3	4	5	6	7	8	9	0
J										
I										
H										
G										
F										
E										
D										
C										
B										
A										

	10	9	8	7	6	5
	3A	3A	3A	3A	3A	3A
	250V	250V	250V	250V	250V	250V



PART NO. **SM-S-xx**

DWG NO. **SM-S-xx**

FILE NO.

UNIT / mm

SCALE 1:1

CHECKED BY CY

DRAWING BY

PROJECTION

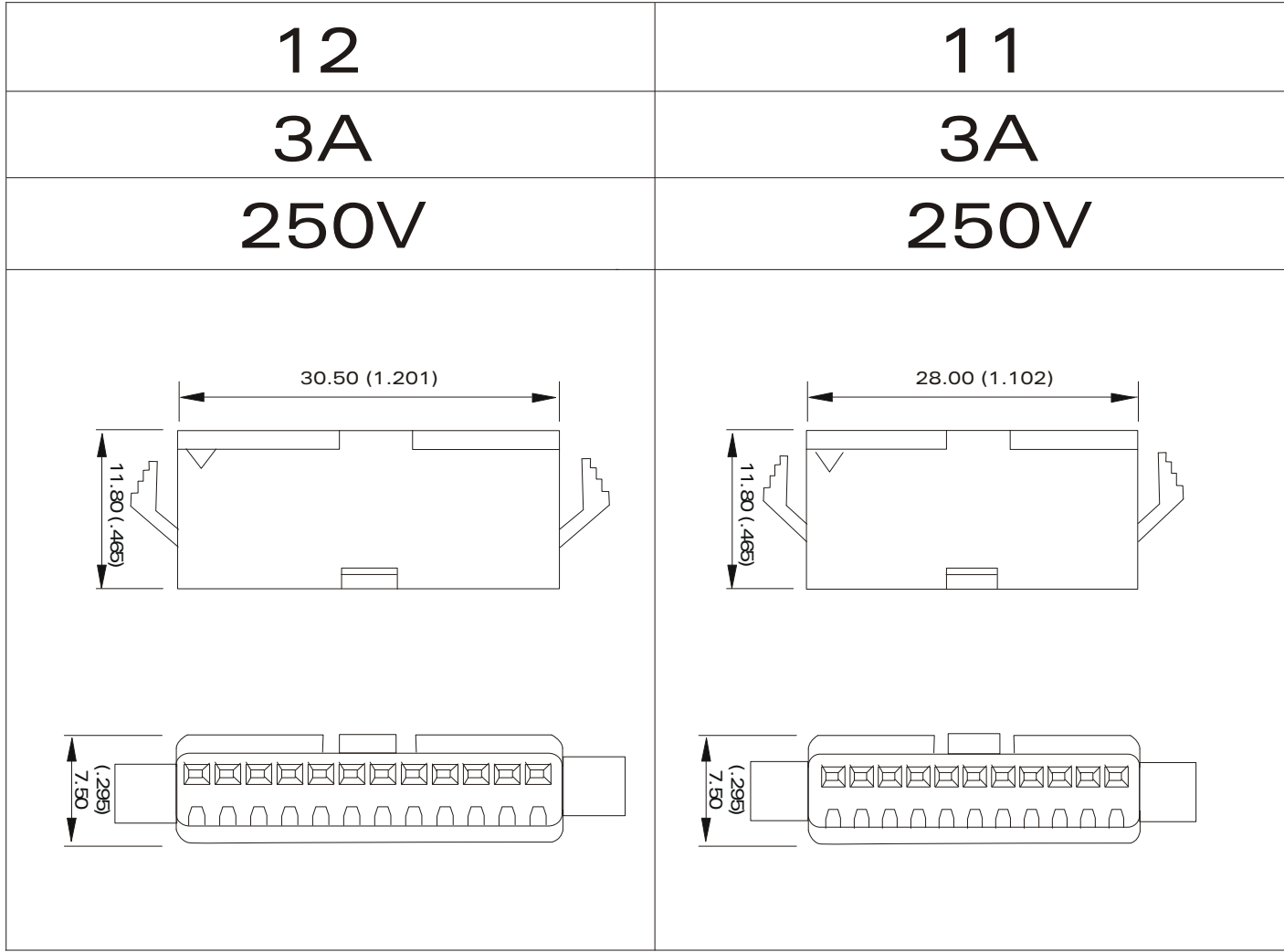
TOLERANCES ARE
.X ± 0.2
.XX ±
.XXX ±
AWG

DESCRIP TION:	
AREA	REVISIONS
	HK
	DATE

煜倫股份有限公司

1 2 3 4 5 6 7 8 9 0

J
I
H
G
F
E
D
C
B
A



PART NO. **SM-S-xx**

DWG NO. **SM-S-xx**

CHECKED BY **CY**

TOLERANCES ARE

DESCRIP TION:

FILE NO.

DRAWING BY

.X ± 0.2
.XX ±
.XXX ±
AWG

AREA

REVISIONS

HK

DATE

煜倫股份有限公司

UNIT / mm

SCALE 1:1

PROJECTION 