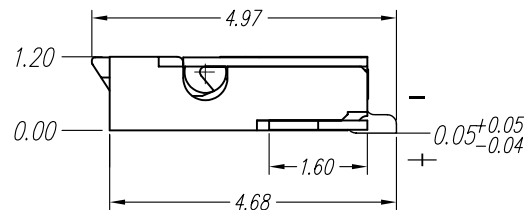
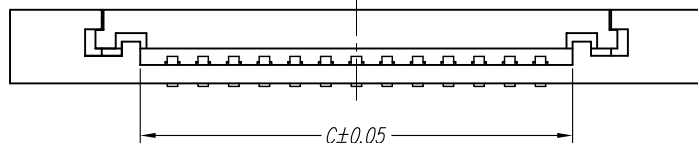
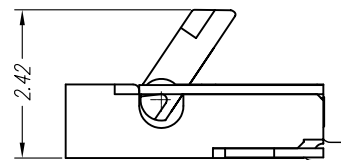
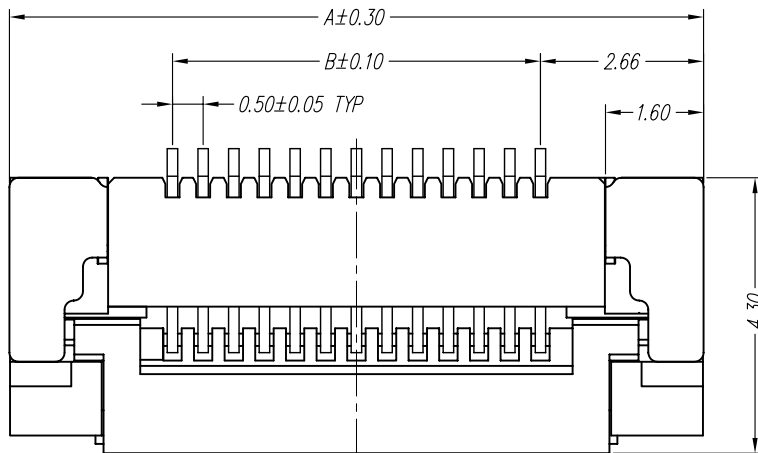
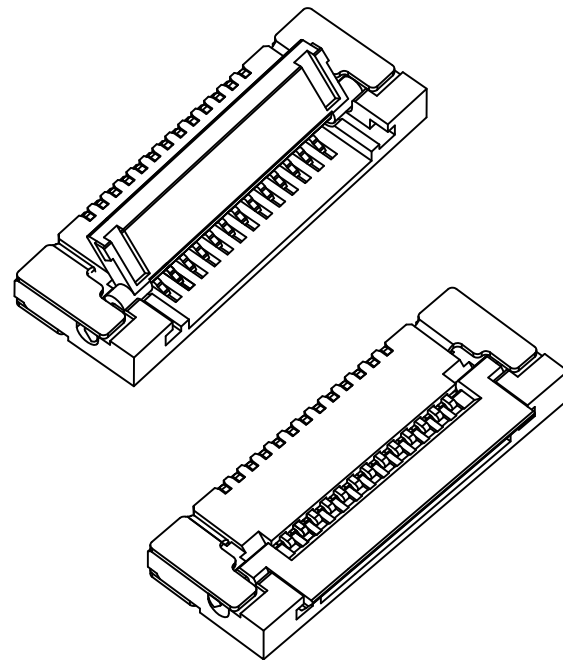


PERFORMANCE CHARACTERISTICS

Operating Voltage: 50VAC
 Current Rating: 0.5 Amp
 Contact Resistance: 20 mΩ Max.
 Insulation Resistance: 50 MΩ Min.
 Dielectric Withstanding Voltage: 250 VAC RMS.
 Accommodated FFC/FPC Thickness: 0.30±0.03 mm
 Operating Temperature: -20°C TO +85°C

MATERIAL

Insulator: PA9T;UL94V-0 Rated.
 Slider: PA9T;UL94V-0 Rated.
 Terminal: Phosphor Bronze
 Mounted Ear: Phosphor Bronze
 Plating: See Ordering Information



PART NO. **FPV-WHB12-xx**

DWG NO. **FPV-WHB12-xx**

FILE NO.

CHECKED BY CY

DRAWING BY

TOLERANCES ARE

.X ± 0.35
 .XX ± 0.20
 .XXX ±
 AWG

DESCRIPTION:

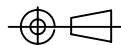
**0.5 FPC CONN.
 LOWER CONTACT EASY ON
 SIDE ENTRY SMT SLIM TYPE**

煜倫有限公司

UNIT / mm

SCALE 1:1

PROJECTION



AREA

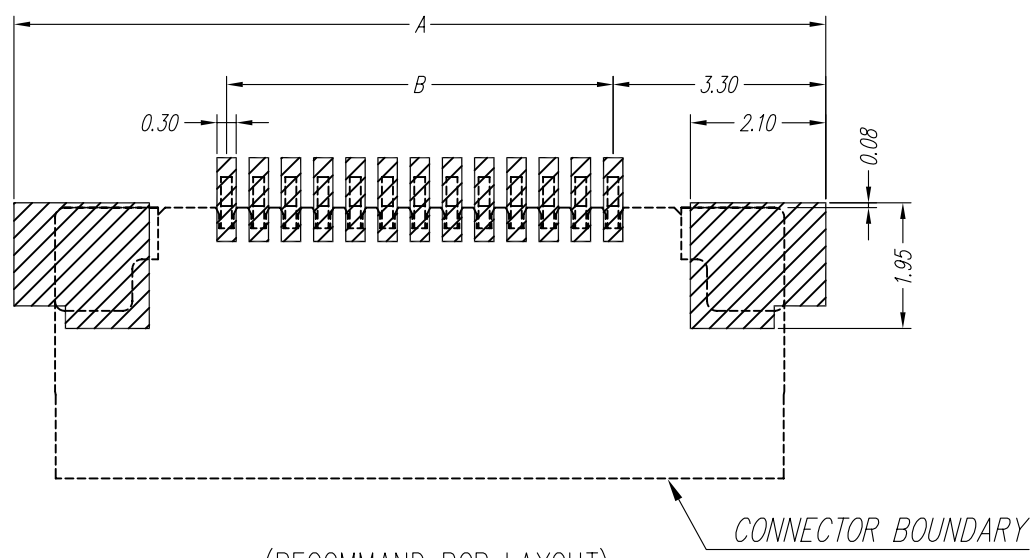
REVISIONS

HK

DATE

1 2 3 4 5 6 7 8 9 0

J
I
H
G
F
E
D
C
B
A



(RECOMMEND PCB LAYOUT)

▨ SOLDER AREA

TABLE OF DIMENSION

NO. of Pins	A	B	C
4	6.80	1.50	2.55
5	7.30	2.00	3.05
6	7.80	2.50	3.55
7	8.30	3.00	4.05
8	8.80	3.50	4.55
9	9.30	4.00	5.05
10	9.80	4.50	5.55
11	10.30	5.00	6.05
12	10.80	5.50	6.55
13	11.30	6.00	7.05
14	11.80	6.50	7.55
15	12.30	7.00	8.05
16	12.80	7.50	8.55
17	13.30	8.00	9.05
18	13.80	8.50	9.55
19	14.30	9.00	10.05
20	14.80	9.50	10.55
21	15.30	10.00	11.05
22	15.80	10.50	11.55
23	16.30	11.00	12.05
24	16.80	11.50	12.55
25	17.30	12.00	13.05
26	17.80	12.50	13.55

NO. of Pins	A	B	C
27	18.30	13.00	14.05
28	18.80	13.50	14.55
29	19.30	14.00	15.05
30	19.80	14.50	15.55
31	20.30	15.00	16.05
32	20.80	15.50	16.55
33	21.30	16.00	17.05
34	21.80	16.50	17.55
35	22.30	17.00	18.05
36	22.80	17.50	18.55
37	23.30	18.00	19.05
38	23.80	18.50	19.55
39	24.30	19.00	20.05
40	24.80	19.50	20.55
41	25.30	20.00	21.05
42	25.80	20.50	21.55
43	26.30	21.00	22.05
44	26.80	21.50	22.55
45	27.30	22.00	23.05
46	27.80	22.50	23.55
47	28.30	23.00	24.05
48	28.80	23.50	24.55
49	29.30	24.00	25.05
50	29.80	24.50	25.55

M MORETHANALL
CONNECTORS
ASSEMBLIES

煜倫有限公司

PART NO. **FPV-WHB12-xx**
 DWG NO. **FPV-WHB12-xx**
 FILE NO.
 UNIT / mm SCALE 1:1

CHECKED BY CY
 DRAWING BY
 PROJECTION

TOLERANCES ARE
 .X ± 0.35
 .XX ± 0.20
 .XXX ±
 AWG

DESCRIPTION:
 AREA REVISIONS HK DATE

**0.5 FPC CONN.
 LOWER CONTACT EASY ON
 SIDE ENTRY SMT SLIM TYPE**