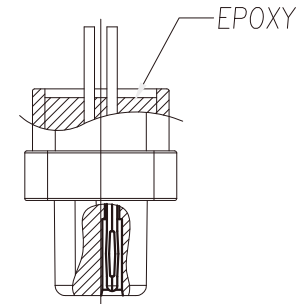
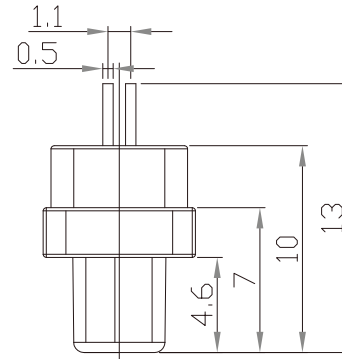
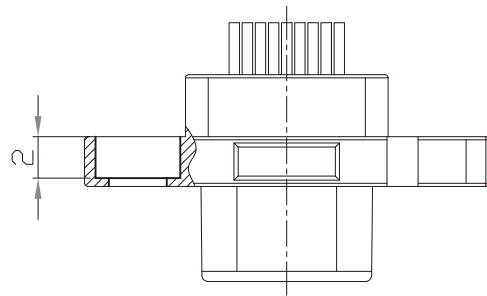
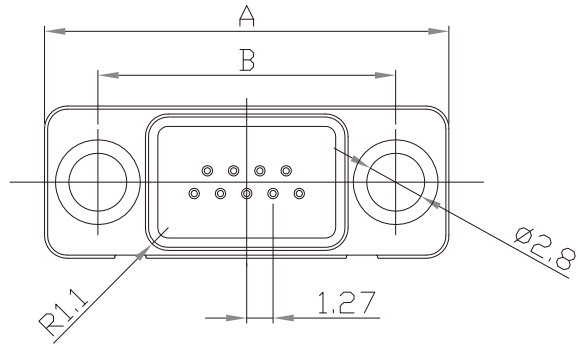


TABLE A

P/N	NUMBER OF PINS	A	B	C	D	E
MID-PS-09	9	19.55	14.35	5.08	3.81	8.20
MID-PS-15	15	23.36	18.20	8.89	7.62	12.00
MID-PS-25	25	29.70	24.55	15.24	13.97	18.35



1. MATERIAL :

- 1-1. HOUSING : PBT UL94V-0 ; COLOR : BLACK
- 1-2. CONTACT : PHOSPHOR BRONZE
- 1-3. SHELL : Zn Alloy

2. FINISH :

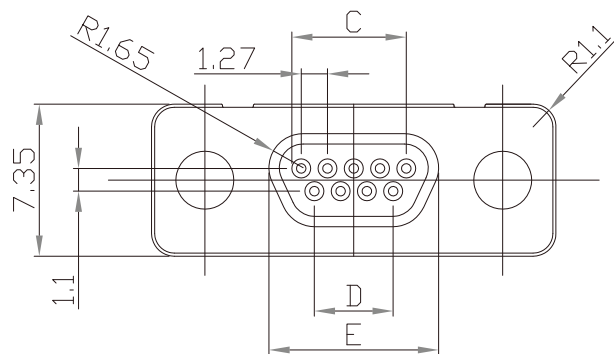
- 2-1. CONTACT : 15u" GOLD OVER 60u" MIN NICKEL ON MATING AREA
60u" MIN BRIGHT TIN OVER 60u" MIN NICKEL ON SOLDER AREA
- 2-2. SHELL : NICKEL PLATED 60u" ~ 100u" ON OVER ALL

3. ELECTRICAL SPECIFICATION :

- 3-1. RATED CURRENT : 1A at 25c/77F, 0.7A at 70c/158F
- 3-2. VOLTAGE : 350Vac
- 3-3. WITHSTANDING VOLTAGE: 630V AC
- 3-4. CONTACT RESISTANCE: 15 m (MAX) INITIAL
CONTACT RESISTANCE: 30 m (MAX) FINAL
- 3-5. INSULATION RESISTANCE: 1000 M ohms (MIN)

4. Environmental :

- 4-1. Operation Temperature : -40C~+125C



RoHS Compliant

TOLERANCES ARE

MORETHANALL
PCB CONNECTORS
Cable ASSEMBLIES

煜倫股份有限公司

www.morethanall.com

DRAWING BY CY

CHECKED BY GENIUS

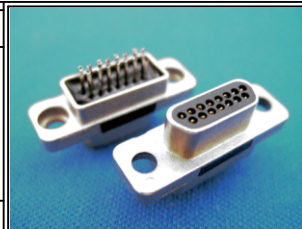
UNIT / mm SCALE 1 : 1

DATE

SIZE A4

X, ±
.X ± 0.20
.XX ± 0.15
.XXX ± 0.10
ANG ± 1°

PPOJECTION



ORDER INFORMATION

MID-PS-xx-LF
SERIES | LEADFREE
| 09-25 WAY
| SOLDER
| MALE

DESCRIPTION: MICRO D-SUB FEMALE 9P-25P