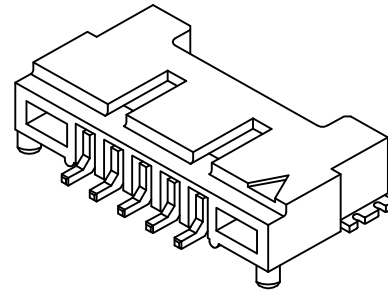


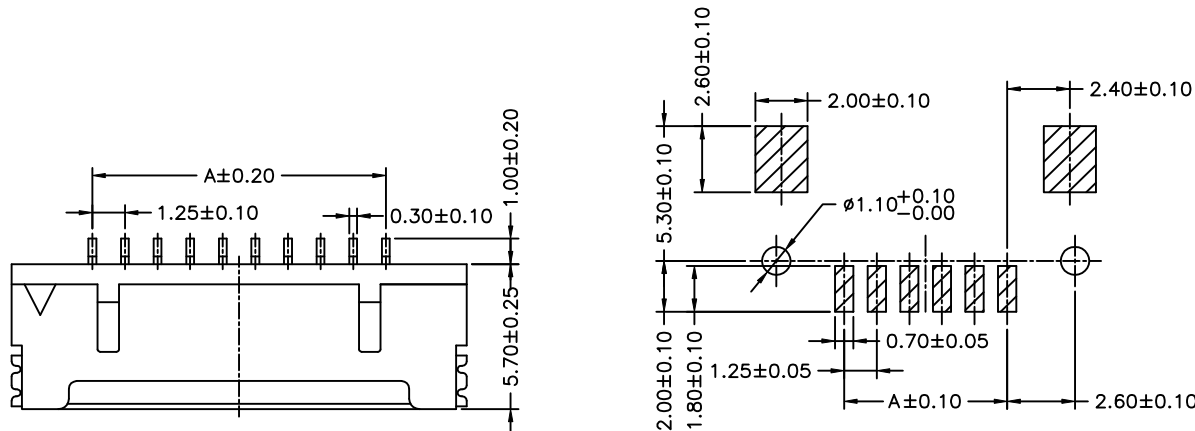
### SPECIFICATIONS

Current Rating: 1A AC,DC  
 Voltage Rating: 100V AC,DC  
 Temperature Range: -25°C ~ +85°C  
 Contact Resistance: 20mΩ Max.  
 Insulation Resistance: 500MΩ Min.  
 Withstanding Voltage: 500V AC/minute  
 Pin Material: Brass/Tin-plated  
 Solder Tabs: Brass/Tin-plated  
 Material: Nylon 6T,UL94V-0

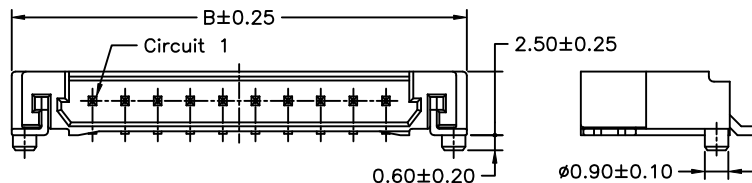


### Ordering Information & Dimensions

PART NO.	Dimensions	
	A	B
DF14-WP-02	1.25	7.45
DF14-WP-03	2.50	8.70
DF14-WP-04	3.75	9.95
DF14-WP-05	5.00	11.20
DF14-WP-06	6.25	12.45
DF14-WP-07	7.50	13.70
DF14-WP-08	8.75	14.95
DF14-WP-09	10.00	16.20
DF14-WP-10	11.25	17.45
DF14-WP-11	12.50	18.70
DF14-WP-12	13.75	19.95
DF14-WP-13	15.00	21.20
DF14-WP-14	16.25	22.45
DF14-WP-15	17.50	23.70
DF14-WP-20	23.75	29.95
DF14-WP-25	30.00	36.20
DF14-WP-30	36.25	42.45



P.C.B. LAYOUT



DF14-WP-xx-LF  
 LEADFREE

RoHS Compliant



煜倫股份有限公司

PART NO. DF14-WP-xx		CHECKED BY CY	TOLERANCES ARE .X±0.2 .XX± .XXX± AWG	DESCRIP TION: 1.25mm PITCH 90° WAFER-SMT TYPE ULTRA LOW PROFILE
DWG NO. DF14-WP-xx				
FILE NO.		DRAWING BY	AREA	REVISIONS
UNIT / mm	SCALE 1:1	PROJECTION		