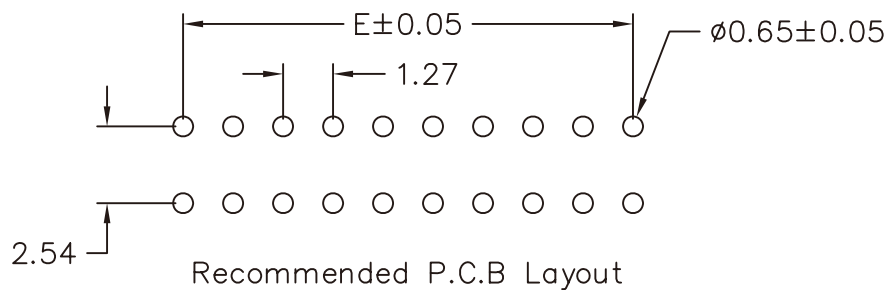
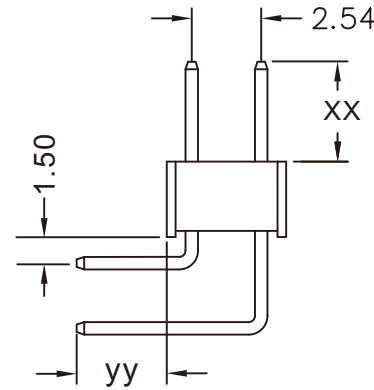
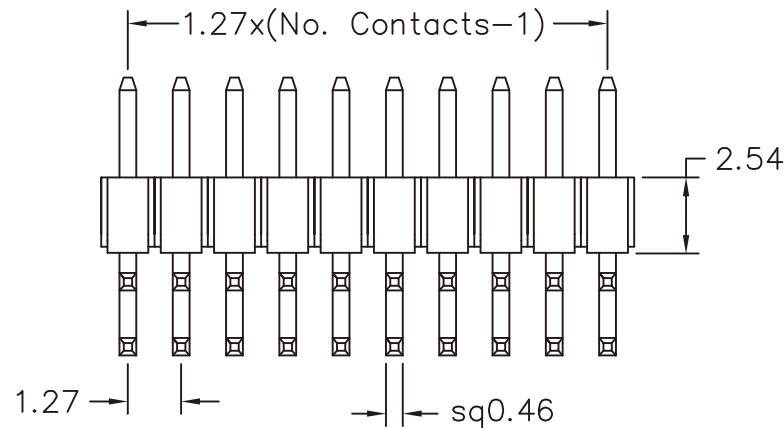


MATERIAL

Insulator : NYLON 6T
Contact Pin : Brass

SPECIFICATION

Current Rate : 1 AMP
Insulation Resistance : 5000MΩMin. at DC 500V
Contact Resistance : 20mΩMax. at DC 100mA
Operation Temperature : -55°C to + 105°C



RoHS Compliant

TOLERANCES ARE

MORETHANALL
PCB CONNECTORS
Cable ASSEMBLIES

煜倫股份有限公司

www.morethanall.com

DRAWING BY CY

CHECKED BY GENIUS

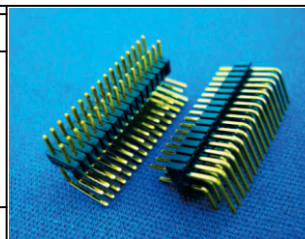
UNIT/mm SCALE 1:1

DATE

SIZE A4

PJECTION

X. ±
.X ± 0.30
.XX ± 0.20
.XXX ±
ANG ± 3°



ORDER INFORMATION

P-R2515xxyy-2Xxx-LF

SERIES	DIP	LEADFREE
DIP 90°	20:2.0mm	2X02:04WAY
BASE 2.54mm	CONTACT	2X50:100WAY
R/A 1.5mm	30:3.0mm	

DESCRIPTION: PIN HEADER 1.27*2.54mm
RIGHT ANGLE TYPE, DUAL ROWS