

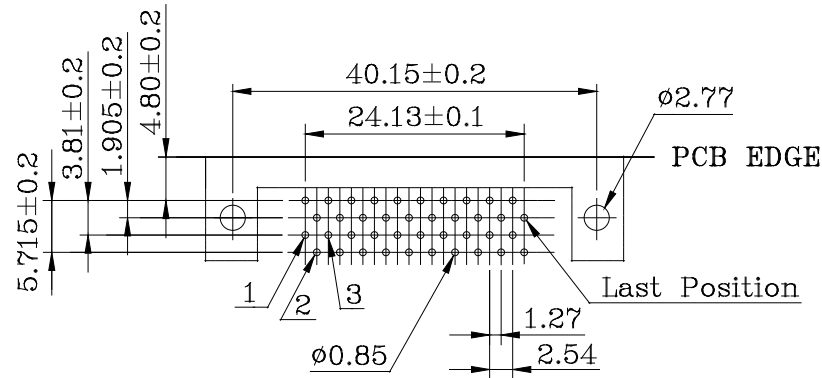
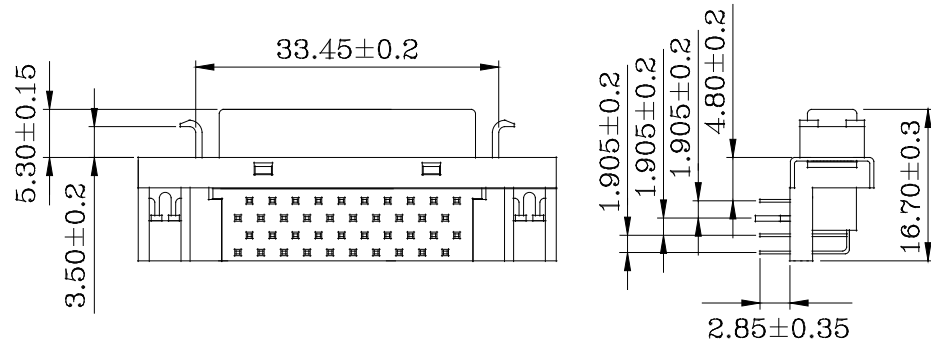
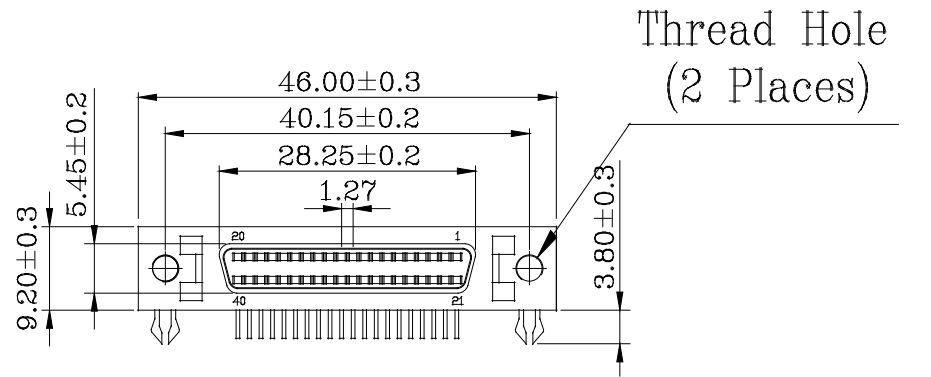
• MATERIALS:(RoHS Compliant)

Housing And Cover: Plastic Thermoplastic  
 P.B.T UL94V-0 Black  
 Contacts: Phosphor Bronze Gold  
 Selective Plated  
 Front Shell: Steel Nickel Plated  
 Over Copper  
 Bracket: Steel Nickel Plated  
 Over Copper  
 Boardlock: Brass Tin Plated  
 Over Copper

• ELECTRICAL CHARACTERISTICS:

Contact Current Rating: 1 Amp  
 Dielectric Withstanding Voltage: 500V AC  
 Insulation Resistance: >500MΩ/Min  
 Contact Resistance: 35mΩ/Max  
 Operation Temperature: -55°C ~ +105°C

HPD-SRL-040-LF  
 LEADFREE  
 RoHS Compliant



PCB Layout (B)



PART NO. HPD-SRL-040

DWG NO. HPD-SRL-040

FILE NO.

UNIT / mm

SCALE 1:1

CHECKED BY CY

DRAWING BY

PROJECTION

TOLERANCES ARE

.X ± 0.2  
 .XX ±  
 .XXX ±  
 AWG

DESCRIPTION:

1.27mm (.050") Pin Type 40Pos  
 Receptacles Headers Right-Angle  
 Mount Type

AREA

REVISIONS

HK

DATE

煜倫股份有限公司