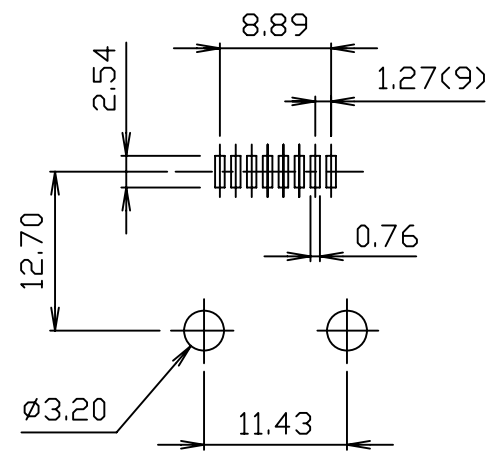
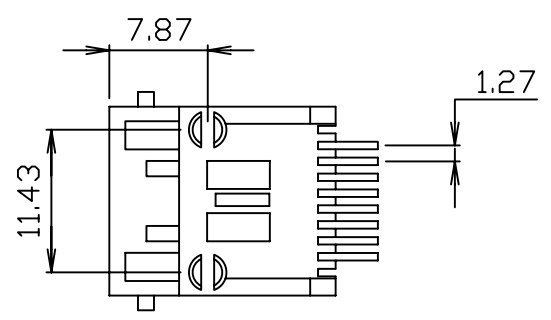
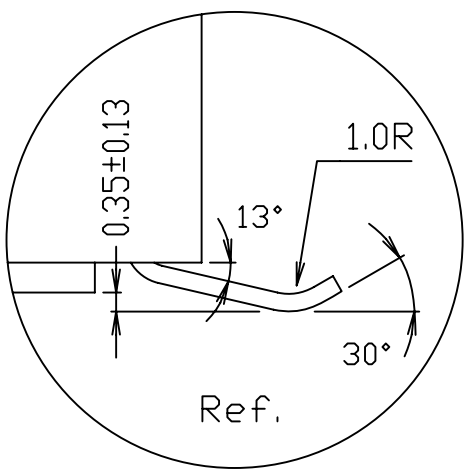


MATERIAL: HOUSING NY-46 POLYESTER UL-94V-0
 MIXED GLASS FIBER.
 STANDARD COLOR-BLACK
 CONTACTS-0.35mm THICK PHOS-BRONZE
 PLATED WITH HARD GOLD AND
 TIN/LEAD IN SOLDER AREA.
 CAVITY CONFIRMS TO FCC RULES AND REGULATIONS
 PART 68,SUBPART F.

MJW12J-KE06P-0808-LF
 LEADFREE

RoHS Compliant



PC Board Layout



PART NO. MJW12J-KE06P-0808

DWG NO. MJW12J-KE06P-0808

FILE NO.

CHECKED BY CY

DRAWING BY

TOLERANCES ARE

.X ± 0.25
.XX ± 0.13

.XXX ±
AWG

DESCRIPTION:

10POSITION SMT TYPE
LOW PROFILE, SIDE ENTRY PCB JACK

煜倫股份有限公司

UNIT / mm

SCALE 1:1

PROJECTION

AREA

REVISIONS

HK

DATE