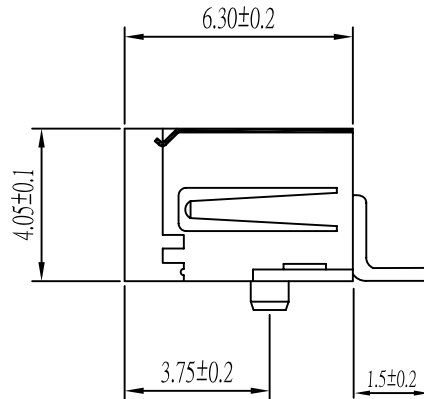
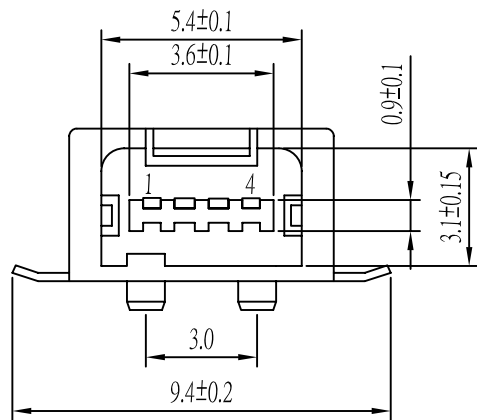


P.C.B. LAYOUT  
\*\*\*\*\*



Note:

1.Material:

- 1.1 Insulator: High temperature thermoplastic with g.f,UL94v-0
- 1.2 Contact: Copper alloy,t=0.25mm
- 1.3 Shell: Spcc,t=0.20mm

2.Specification:

- 2.1 Current rating: 1 A Max.
- 2.2 Dielectric withstanding voltage: 750 V(ac) for 1 min.
- 2.3 Contact resistance: 30 mΩ Max.
- 2.4 Insulation resistance: 1000 MW Min.
- 2.5 Total mating force: 2.5 Kgf Max.
- 2.6 Total unmating force: 0.5 Kgf Min.
- 2.7 Temperature range: -55°C~85°C

**MORETHANALL**  
CONNECTORS  
ASSEMBLIES

PART NO. MSB-SW-4H

DWG NO. MSB-SW-4H

APPROVED BY CY

TOLERANCES ARE

DESCRIP TION: MINIUSB-A(HRS) TYPE(F) S.M.T(單面防呆)

FILE NO.

DRAWING BY

.X ± 0.3  
.XX ± 0.2  
.XXX ± 0.1  
AWG

煜倫股份有限公司

UNIT / mm

SCALE 1:1

PROJECTION

AREA

REVISIONS

HK

DATE