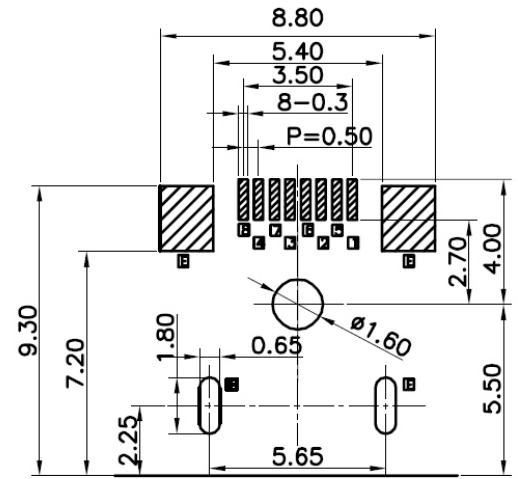
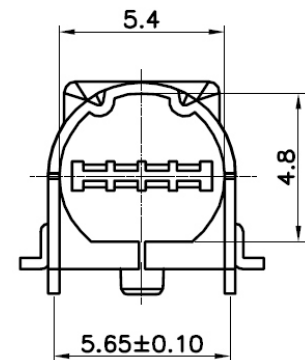
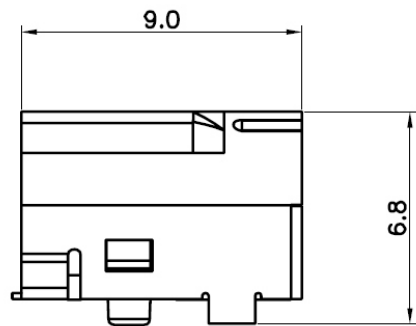
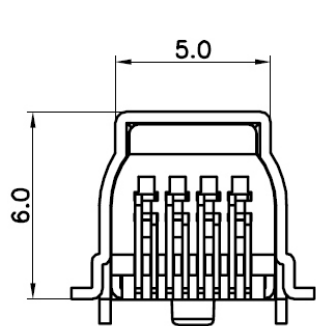
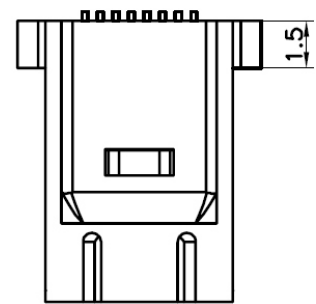


Specifications:
 Current rating:1.0A AC,DC
 Voltage rating:50V AC,DC
 Contact resistance:30mΩ max
 Insulation Resistance:500MΩ min
 Withstanding voltage:500V AC/minute
 Temperature range:-55°C to +105°C
 Material:
 Insulator::LCP+30%GF, (UL94V-0)
 Contact:Phosphor Bronze
 Contact Plating:Selective Plating Gold 3u”
 Shell:Phosphor Bronze
 Shell Plating:Nickel Plating



PCB LAYOUT



PART NO. **MSB-SW-8B**

DWG NO. **MSB-SW-8B**

CHECKED BY CY

TOLERANCES ARE

FILE NO.

DRAWING BY

.X ± 0.2
.XX ±
.XXX ±
AWG

DESCRIP TION:

焯倫股份有限公司

UNIT / mm

SCALE 1:1

PROJECTION

AREA

REVISIONS

HK

DATE