

SPECIFICATIONS

ELECTRICAL CHARACTERISTICS:

Contact Current Rating: 3 Amperes.
 Dielectric Withstanding Voltage: AC 1000/60sec.r.m.s.
 Insulation Resistance: 5000 Megohms Minimum at DC 500V.
 Contact Resistance: 25 Milliohms Maximum.
 Operating Temperature: -55°C to +105°C.

MECHANICAL CHARACTERISTICS:

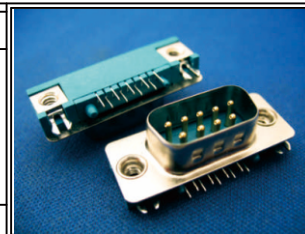
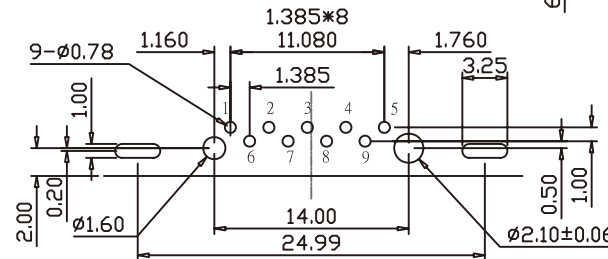
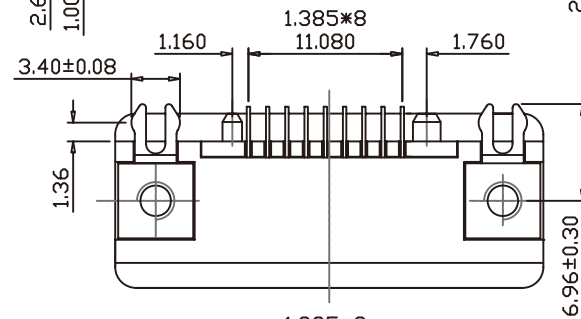
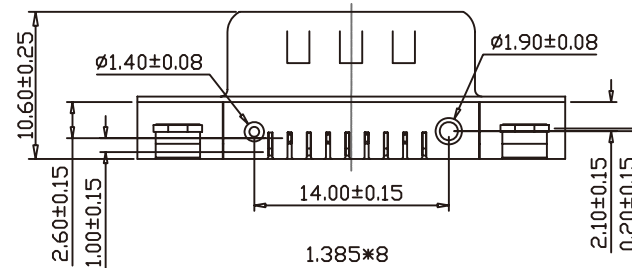
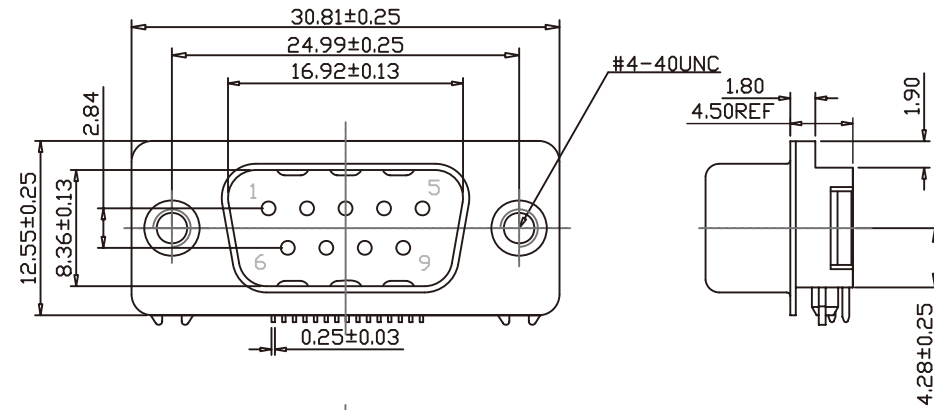
Contact Insertion Force: 341 g. Maximum.
 Contact Separation Force: 21 g. Minimum.

MATERIALS:

Contacts: Brass.
 Insulator: PBT UL 94V-0 Rated.
 Shell: Cold Roller Steel.

FINISHES:

Contact: Gold Flash.
 Shell: Nickel Plated.



ORDER INFORMATION

DR25-PNGR-09-LF
 SERIES | | | LEADFREE
 | | | 09WAY
 | | | GREEN
 | | | NUT
 | | | MALE

DESCRIPTION: SLIM D-SUB 9 MALE CONNECTOR DIP SOLDER, RIGHT ANGLE

RoHS Compliant

TOLERANCES ARE

MORETHANALL
 PCB CONNECTORS
 Cable ASSEMBLIES

煜倫股份有限公司

www.morethanall.com

DRAWING BY CY

CHECKED BY GENIUS

UNIT/mm SCALE 1:1

DATE

SIZE A4

X, ±
 .X ±
 .XX ±
 .XXX ±
 ANG ±

P PROJECTION