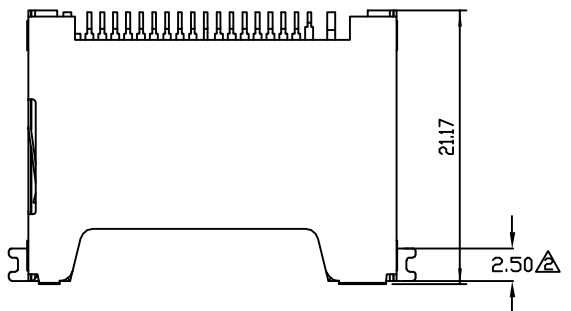


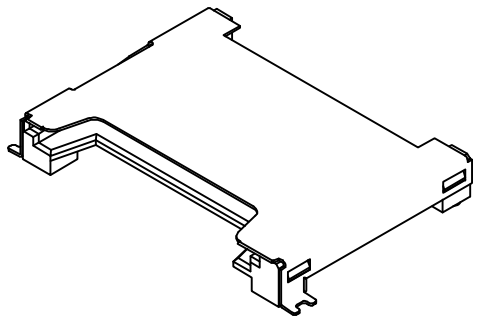
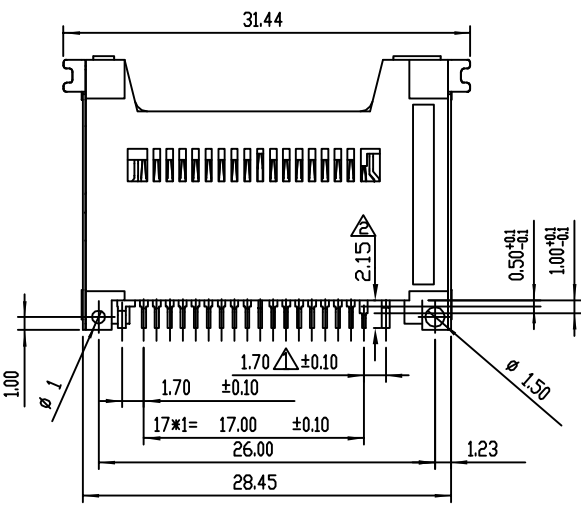
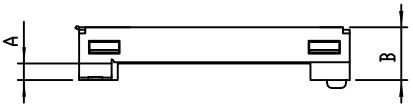
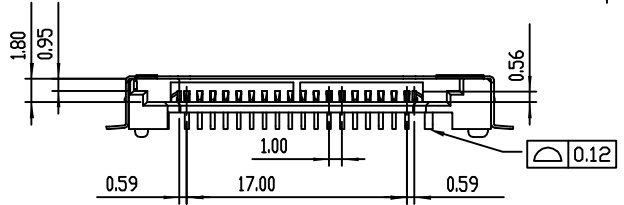
1 2 3 4 5 6 7 8 9 0

J
I
H
G
F
E
D
C
B
A



StandOFF	A	B
0	0.1mm	2.9mm
1	1.3mm	4.1mm
2	2.1mm	4.9mm

SPECIFICATION
MATERIAL
 Insulator: High Temp. Thermoplastic UL94V-0(9T)(GW2508)
 Contacts: PhosPhor Bronze
 Shell: Bronze (Underplate Nickel)
CONTACT PLATING
 Underplate: 50u" Nickel
 Contact area: 1u"~30u" Selective gold
 Solder tails area: 100u" Tin/Lead(see contact area plating A,C,D)
 Solder tails area: 100u" Tin/Lead Free(see contact area plating 4,6,7)
ELECTRICAL
 Operation voltage: 100 VAC max.
 Current rating: 0.5 Amps max.
 Contact resistance: 20 mohms max.
 Insulation resistance: 1000 Mohms min @ 500 VDC
 Dielectric withstanding voltage: 1000 VAC / minute
 Operating temperature: -5°C TO +65°C



MORETHANALL
 CONNECTORS
 ASSEMBLIES

煜倫有限公司

PART NO. **XDC-W26X-20**

DWG NO. **XDC-W26X-20**

FILE NO.

UNIT / mm

SCALE 1:1

CHECKED BY CY

DRAWING BY

PROJECTION

TOLERANCES ARE

.X ± 0.30
 .XX ±
 .XXX ±
 AWG

DESCRIP TION:

XDC CONNECTOR - SMT MOUNT

AREA

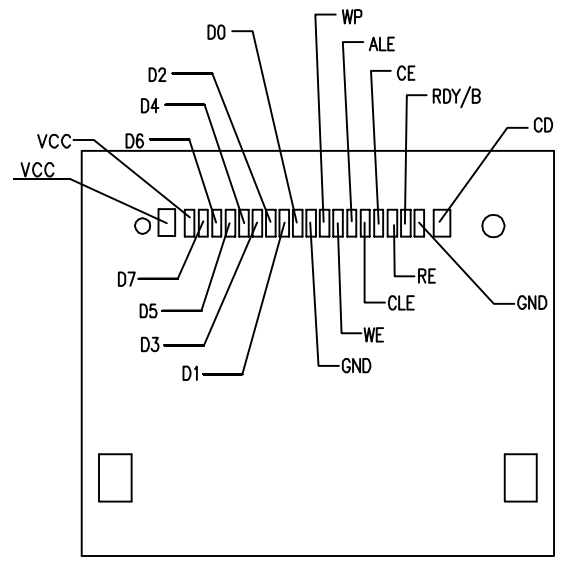
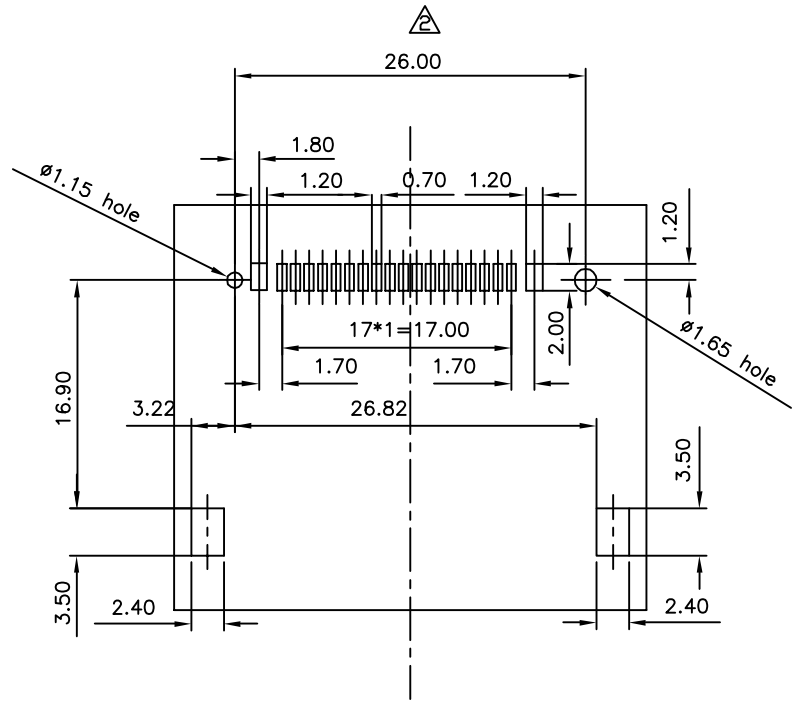
REVISIONS

HK

DATE

1 2 3 4 5 6 7 8 9 0

J
I
H
G
F
E
D
C
B
A



RECOMMENDED P.C.B LAYOUT
TOLERANCE 0.05

MORETHANALL
CONNECTORS
ASSEMBLIES

煜倫有限公司

PART NO. **XDC-W26X-20**

DWG NO. **XDC-W26X-20**

FILE NO.

UNIT / mm

SCALE 1:1

CHECKED BY CY

DRAWING BY

PROJECTION

TOLERANCES ARE

.X ± 0.30
.XX ±
.XXX ±
AWG

DESCRIPTION: **XDC CONNECTOR - SMT MOUNT**

AREA	REVISIONS	HK	DATE	
------	-----------	----	------	--