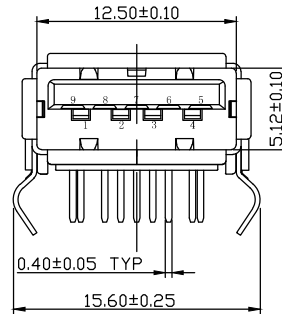
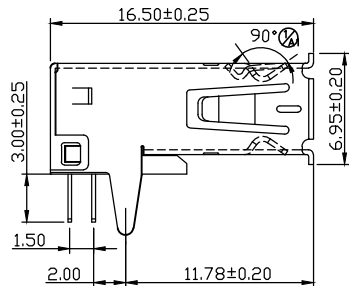
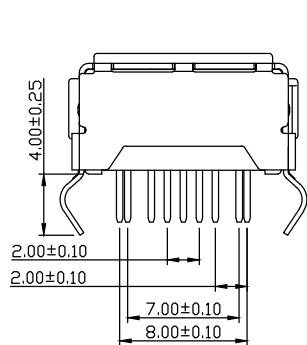
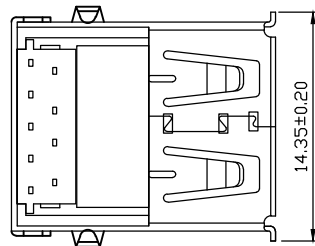
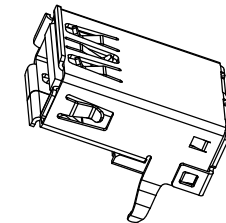


**SPECIFICATIONS:**  
 Contact current Rating:  
 1.8 Amperes for pin1&pin4.  
 0.25 Amperes other contacts  
 Dielectric Withstanding Voltage:AC 100V(RMS)  
 Insulation resistance:100Megohms Minimum.  
 Contact Resistance:  
 30mΩ Max for pin1&pin4  
 50mΩMax for other contacts  
 Mechanical Characteristics:  
 Mating Force:35 Newtons.Maximum  
 Unmating Force:10 Newtons.Minimum.  
**MATERIAL:** 8N Min After Durability  
 Housing: PBT+30%GF 94V-0 COLOR:BLUE  
 Contact: copper alloy( T=0.25mm)  
 Shell: Brass  
**PLATING:**  
 Contact: Au Plated on contact area  
 Tin Plated on solder area  
 Nickel underplating over all  
 Shell: Nickel Plated  
 operating Temperature:-55'to+85'



Pin Number	Signal Name
1	VBUS
2	D-
3	D+
4	GND
5	SSRX-
6	SSRX+
7	GND
8	SSTX-
9	SSTX+
Shell	Shield



**RoHS Compliant**

TOLERANCES ARE

**MORETHANALL**  
 PCB CONNECTORS  
 Cable ASSEMBLIES

DRAWING BY CY

X, ±

CHECKED BY GENIUS

.X ± 0.30

UNIT / mm

SCALE 1 : 1

.XX ± 0.25

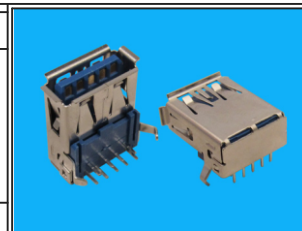
DATE

.XXX ±

ANG ±

SIZE A4

PJECTION



**ORDER INFORMATION**

**USB-SRBLS30-9A-LF**  
 SERIES | | | LEADFREE  
 | | | 9 PIN A TYPE  
 | | | SEMI GOLD 30u"  
 | | | BLUE  
 | | | DIP 90°  
 | | | FEMALE

**煜倫股份有限公司**

[www.morethanall.com](http://www.morethanall.com)

DESCRIPTION: USB 3.0 AF 90° DIP 有卷边无缺口弯脚 脚长3.0