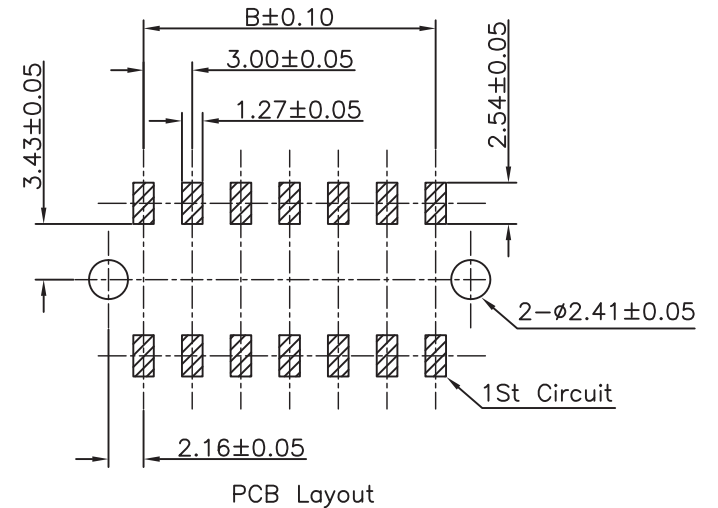
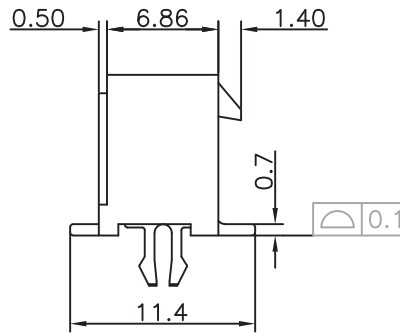
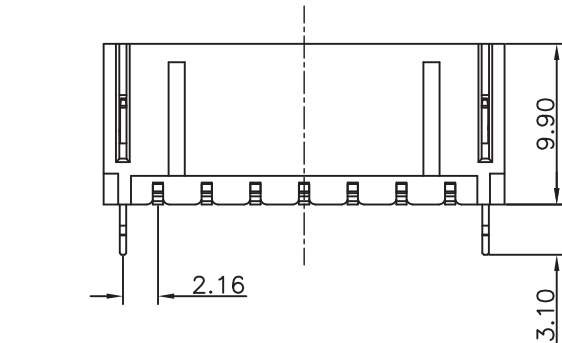
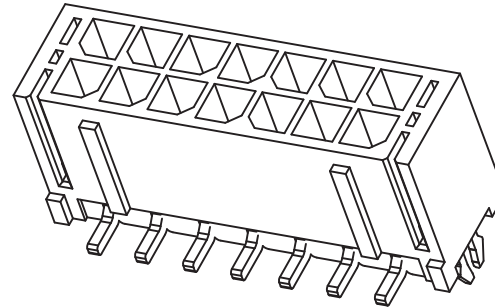
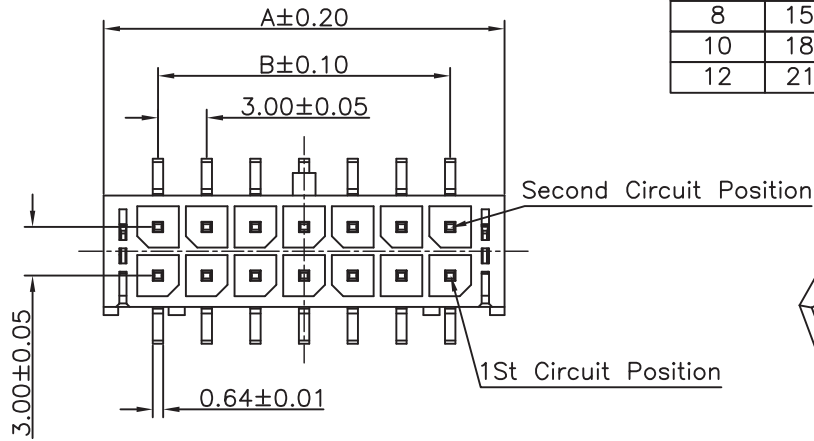


Circuits	Dimension		Circuits	Dimension	
	A	B		A	B
2	6.7	—	14	24.7	18.0
4	9.7	3.0	16	27.7	21.0
6	12.7	6.0	18	30.7	24.0
8	15.7	9.0	20	33.7	27.0
10	18.7	12.0	22	36.7	30.0
12	21.7	15.0	24	39.7	33.0



Specifications:

Current rating:5.0A AC,DC
Voltage rating:250V AC, DC
Contact resistance:10m ohm Max
Insulation resistance:1000M ohm Min
Withstanding voltage:AC 1500V AC/minute
Operating Temperature:-25°C ~ +85°C
Materials:
Insulator:High Temp Plastic UL94V-0
Contact material:Copper Alloy
Finish:Tin Plated

RoHS Compliant

TOLERANCES ARE

MORETHANALL
PCB CONNECTORS
Cable ASSEMBLIES

煜倫股份有限公司

www.morethanall.com

DRAWING BY CY

CHECKED BY GENIUS

UNIT/mm

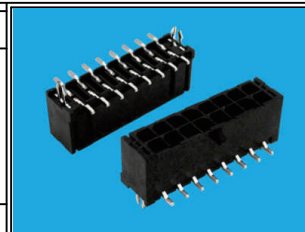
SCALE 1:1

DATE

SIZE A4

P PROJECTION

X, ±
X ± 0.20
.XX ± 0.15
.XXX ±
ANG ±



ORDER INFORMATION

MIF-PVZ-2Xxx-LF
SERIES MIF LEADFREE
MALE CLIP
2X01:02WAY
2X12:24WAY
180°SMT

DESCRIPTION: 3.0mm Pitch Power Wafer SMD Type