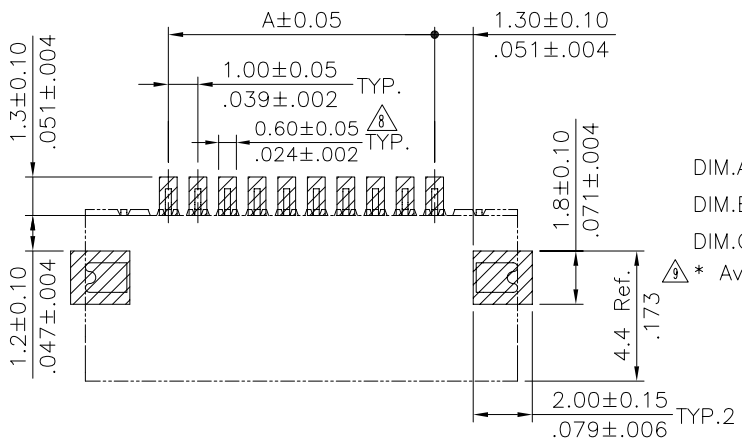
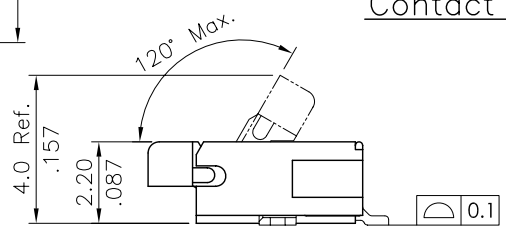
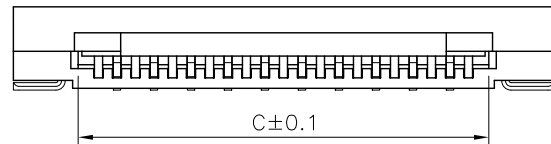
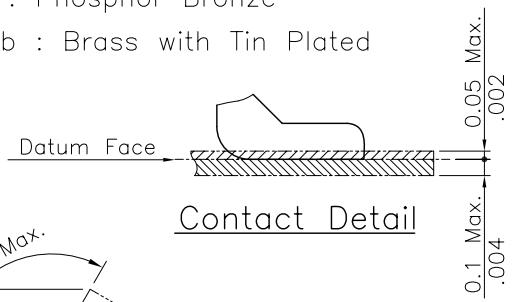
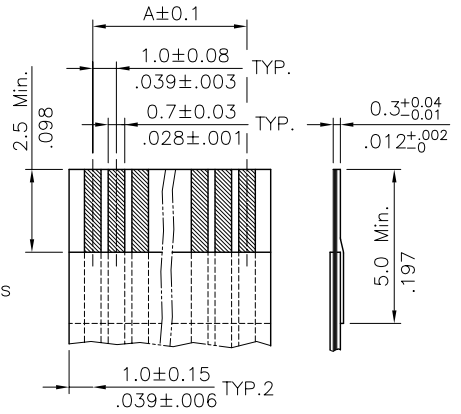


Material :
 * Body : PA6T or PA9T With 30% GF. UL 94V-0
 Color Nature(Ivory)
 * Slider : PA6T or PA9T With 30% GF. UL 94V-0
 Color Black
 * Contact : Phosphor Bronze
 * Fixed tab : Brass with Tin Plated



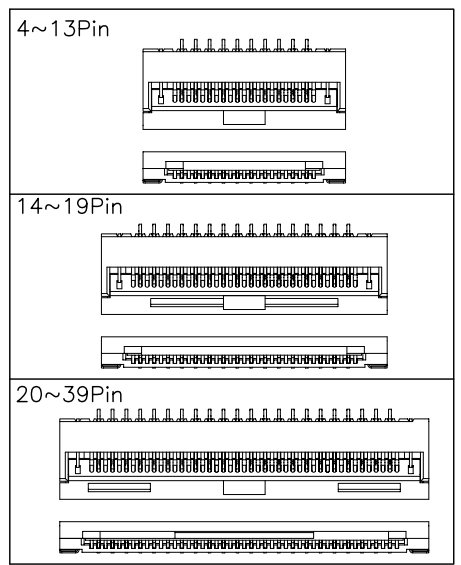
DIM.A = 1.00 x No. of Spaces
 DIM.B = DIM.A + 5.6
 DIM.C = DIM.A + 2.1
 * Available in 4 through 39 circuits



Accommodated FFC/FPC

Recommended P.C. Board Layout

FPA-WHB221R-xx-LF
 LEADFREE
 RoHS Compliant

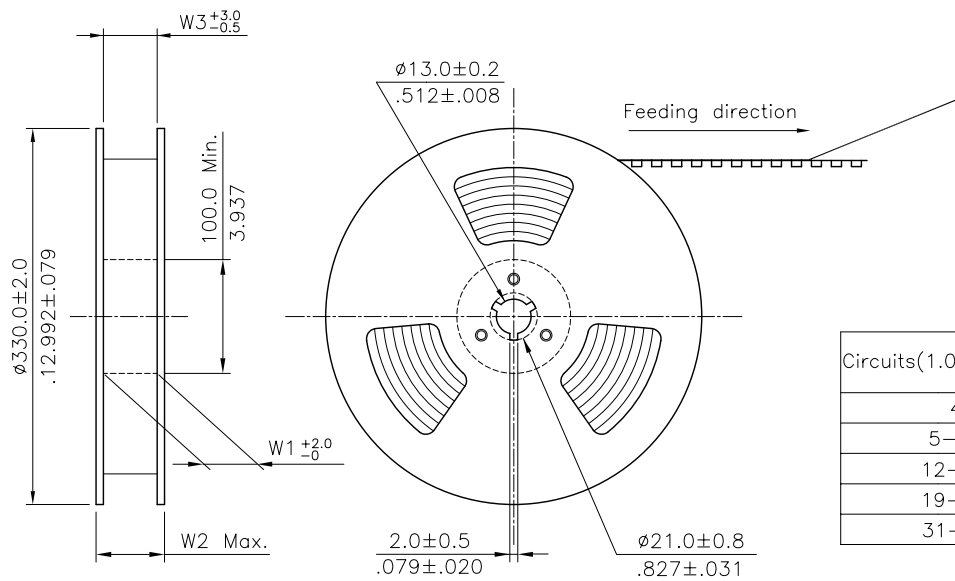


PART NO. FPA-WHB221R-xx	CHECKED BY CY		TOLERANCES ARE		DESCRIP TION:	AREA	REVISIONS	HK	DATE
	DRAWING BY		.X ± 0.2 .XX ± .XXX ± AWG						
FILE NO.	PROJECTION								
UNIT / mm	SCALE 1:1								

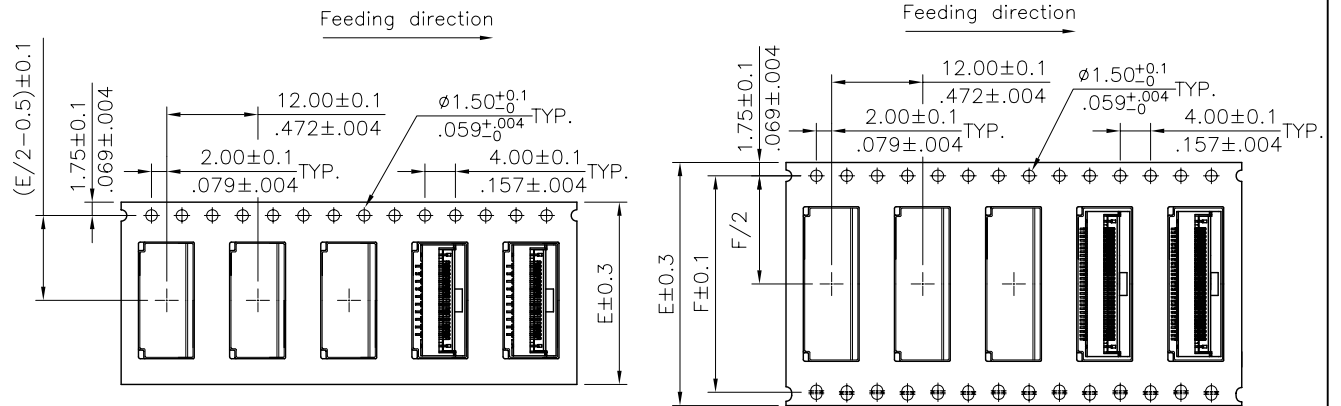
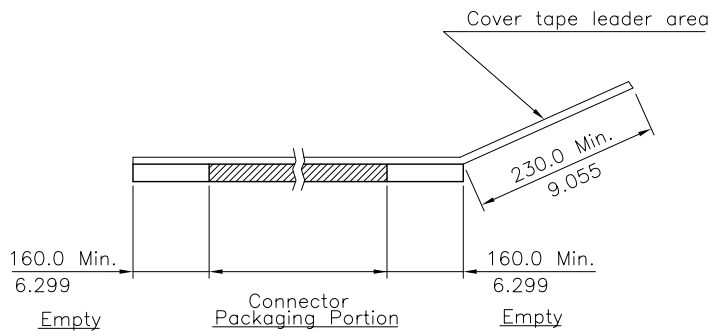
煜倫股份有限公司

NOTES:

1. 10 sprocket hole pitch cumulative tolerance ± 0.20
2. Carrier camber is within 1 mm in 250 mm.
3. Material :Transparent Anti-static Polysyrene.
4. All dimensions meet EIA-481-2 requirements.
5. Thickness : 0.35 ± 0.05 mm.
6. Packing length per 22" Reel : 56 Meters.
7. Component load per 13" Reel : 2000 pcs.



Circuits(1.0mm Pitch)	Dimension					Packing (Reel/Caton)
	E	F	W1	W2	W3	
4	16.0(.630)	—	16.5(.650)	22.5(.885)	16.5(.650)	9
5-11	24.0(.945)	—	24.5(.965)	30.5(1.200)	24.5(.965)	8
12-18	32.0(1.260)	28.40(1.118)	32.5(1.280)	38.5(1.516)	32.5(1.280)	6
19-30	44.0(1.732)	40.40(1.596)	44.5(1.752)	50.5(1.988)	44.5(1.752)	5
31-39	56.0(2.204)	52.50(2.067)	56.5(2.224)	62.5(2.460)	56.5(2.224)	4



WIDTH : 32,44,56 mm Carrier

WIDTH : 16,24 mm Carrier

MORETHANALL
CONNECTORS
ASSEMBLIES

PART NO. FPA-WHB221R- xx

DWG NO. FPA-WHB221R- xx

FILE NO.

UNIT / mm

SCALE 1:1

CHECKED BY CY

DRAWING BY

PROJECTION

TOLERANCES ARE

.X ± 0.2
.XX \pm
.XXX \pm
AWG

DESCRIPTION:

AREA

REVISIONS

HK

DATE

煜倫股份有限公司