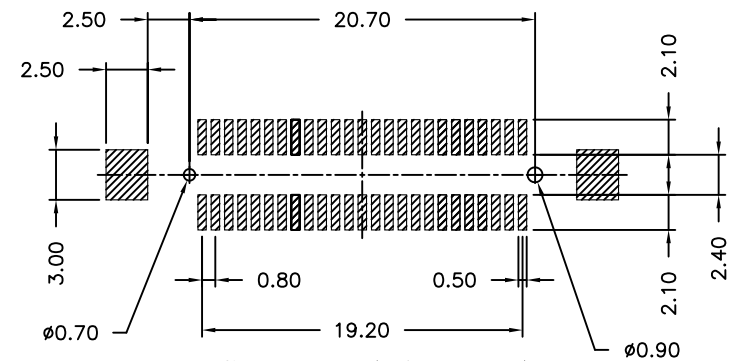
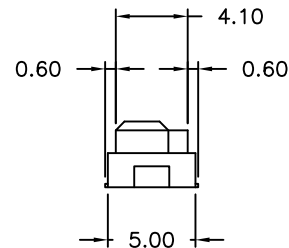
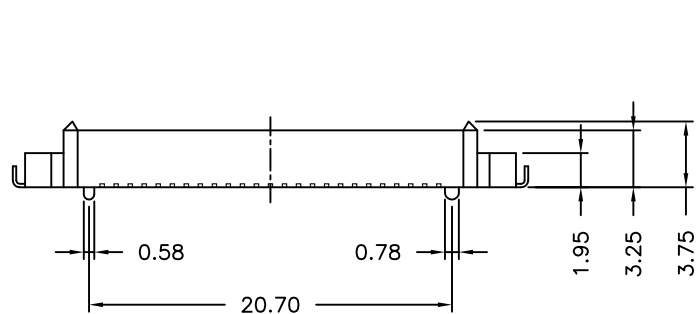
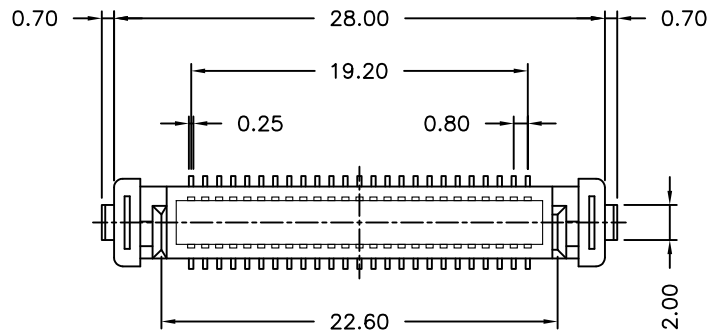


Material

Insulator : High Temperature Thermoplastic
 UL 94V-0 Glass Filled
 Contact : Phosphor Bronze
 Contact Plated : Gold Over Nickel

Specification

Insulator Resistance : 100MΩ Min.
 Contact Resistance : 70mΩ Max.
 Temperature : -40°C ~ +85°C



P.C.B. Layout(TOP VIEW)

MORETHANALL
 CONNECTORS
 ASSEMBLIES

煜倫有限公司

PART NO. JKX-P21-050	
DWG NO. JKX-P21-050	
FILE NO.	
UNIT / mm	SCALE 1:1

APPROVED BY CY	DRAWING BY
PROJECTION	

TOLERANCES ARE
.X
.XX
.XXX
AWG

DESCRIPTION:	0.80 mm Pitch B To B Female 50 Pin			
AREA	REVISIONS	HK	DATE	