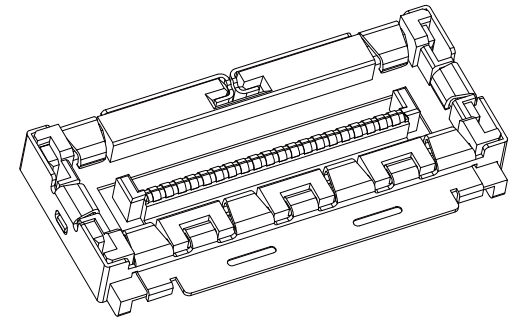
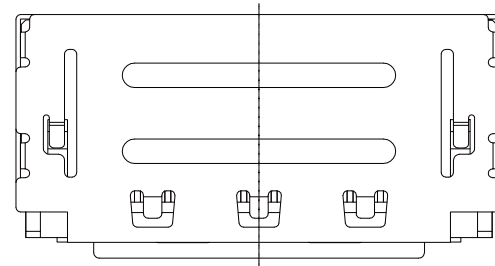


Notes :

1. Applicable cable  
AWG#36~42 Coaxial cable  
AWG#32 Discrete wire  
Insulation O.D: 0.4mm Max.
2. Coplanarity of contacts and plate are 0.1MAX.
3. There is possibility of chaging about detailed shape and materials.



NO.	PART NAME	Q'TY	MATERIAL	FINISH	REMARKS
4	SHELL	1	STAINLESS	Nickel plated overall	-
3	SHELL	1	STAINLESS	Nickel & Tin plated overall	-
2	TERMINAL	20	COPPER ALLOY	Contact area Gold 10u' plated	-
1	HOUSING	1	LCP	BLACK	-

RoHS Compliant

TOLERANCES ARE

**MORETHANALL**  
PCB CONNECTORS  
Cable ASSEMBLIES

煜倫股份有限公司

www.morethanall.com

DRAWING BY CY

CHECKED BY GENIUS

UNIT/ mm

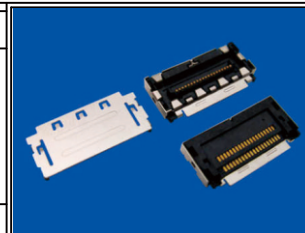
SCALE 1:1

DATE

SIZE A4

PJECTION

X. ±  
.X ±  
.XX ±  
.XXX ±  
ANG ±



ORDER INFORMATION

LVC-HS32-20-LF  
SERIES | | LEADFREE  
| | 20WAY  
| | 32AWG  
| | SOLDER  
| | HOUSING

DESCRIPTION: 20pin pitch 0.5mm cable plug connector