

RECOMMEND P.C.B LAYOUT

NOTE:

1.ELECRTICAL PROPERTIES:

- 1-1.CONTACT CURRENT RATING:1.8A(ONLY PIN1,5) AT THE SAME TIME OTHER 1A(ONLY PIN2,3 4).
- 1-2.CONTACT RESISTANCE:30m Ohm MAX
- 1-3.INSULATION RESISTANCE:100M Ohm MIN AT DC 500V.
- 1-4.DIELECTRIC WITHSTANDING VOLTAGE:AC 100V AC/1 MINUTE 10mA.

2.MATERIAL:

- 2-1.PIN: BRASS
- 2-2.HOUSING: LCP COLOR:BLACK
- 2-3.SHELL: Stainless Steel

3.PLATING:

- 3-1.PIN:UNDERPLATED 50u" MIN,NICKEL OVER ALL.
1u".3u".5u".10u".15u". 30u"GOLD ON CONTACT AREA.
100u" MIN, TIN ON SOLDER TAILS.
- 3-2. SHELL: 30~80u" ,NICKEL OVER ALL.
- 4.Temperature range: -40°C~+85°C

3	SHELL	1	Stainless steel	T=0.30±0.01mm	Nickel Plated
2	CONTACT	5	Brass	T=0.20±0.01mm	Gold Flashfd
1	HOUSING	1	LCP		Black
No.	Part Name	Q'ty	Material	Thickness	Finish

RoHS Compliant

MORETHANALL
PCB CONNECTORS
Cable ASSEMBLIES

煜倫股份有限公司

www.morethanall.com

DRAWING BY CY

CHECKED BY GENIUS

UNIT/ mm

SCALE 1:1

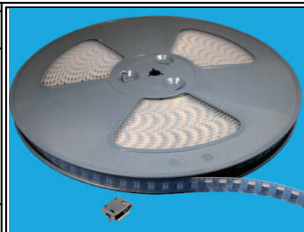
DATE

SIZE A4

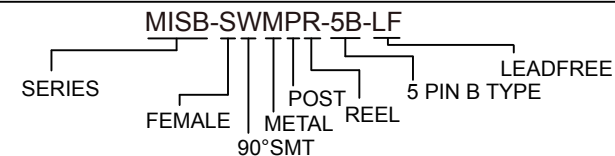
TOLERANCES ARE

X. ±
X ± 0.30
.XX ± 0.20
.XXX ± 0.10
ANG ±

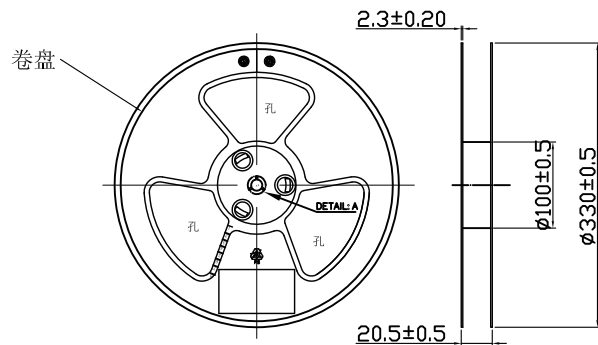
PJECTION



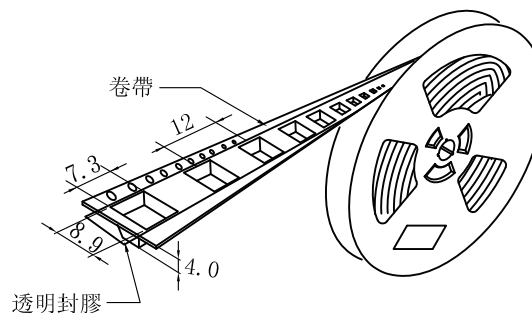
ORDER INFORMATION



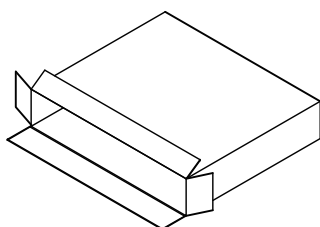
DESCRIPTION: MICRO USB 5PIN(F) B TYPE (有定位柱)



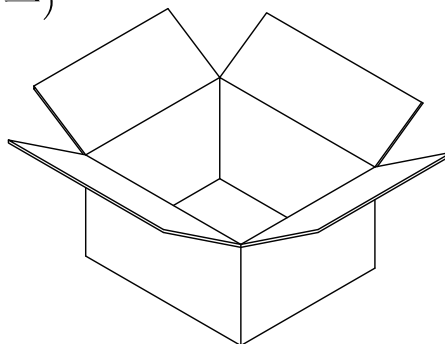
卷帶盤(圖一)



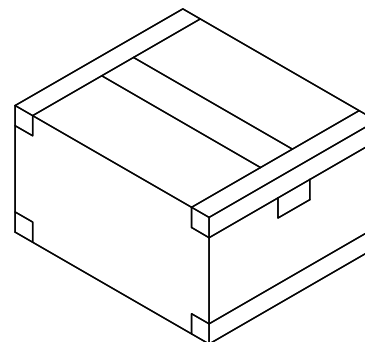
卷裝圖示(圖二)



未封好
內紙箱
(圖三)
包裝說明



未封好
外紙箱
(圖四)



封好外
紙箱
(圖五)

1. 每卷帶盤裝1500PCS,不可少數,成品在盤內不可活動,裝好後使用自動卷裝機粘合上透明封膠.如圖(一,二)所示.卷帶盤規格為 $\phi 330.0 \times 20.5$ MM.
2. 將裝好的卷帶盤放入內紙箱內,每個內紙箱放2盤,用透明膠密封,再將封裝好的內紙箱放入外紙箱中,每個外紙箱放8個內紙箱,共有產品24.0K,最後用透明膠密封外紙箱.如圖(三,四,五)所示.內紙箱規格為 $350 \times 350 \times 58$ MM,外紙箱規格為 $355 \times 368 \times 530$ MM
3. 紙箱外貼上環保標簽,合格標簽,產品規格說明,並且貼在外箱側面的箱面規格說明的右上方(僅貼一側)
4. 包裝材料:(JPL007,RR002,ZX011,ZX004)

MORETHANALL
PCB CONNECTORS
Cable ASSEMBLIES

煜倫股份有限公司

www.morethanall.com

RoHS Compliant

DRAWING BY CY

CHECKED BY GENIUS

UNIT/mm

SCALE 1:1

DATE

SIZE A4

TOLERANCES ARE

X. \pm

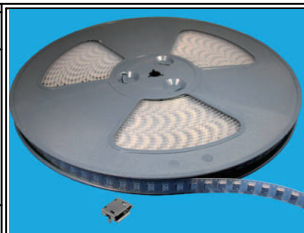
.X \pm

.XX \pm

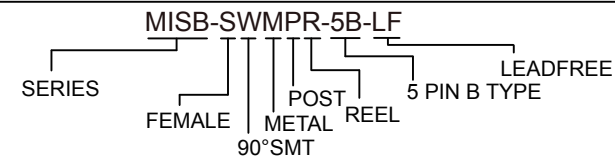
.XXX \pm

ANG \pm

PJECTION



ORDER INFORMATION



DESCRIPTION: