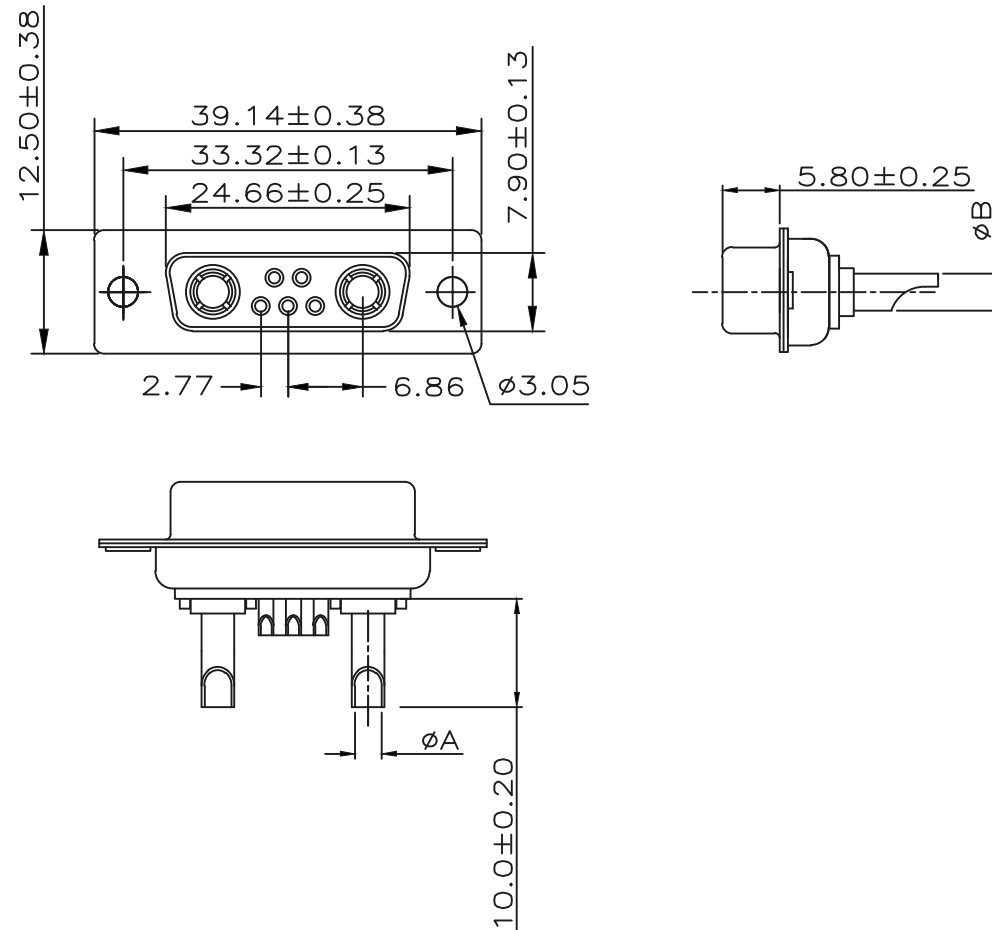


Table 1 Material	
Power Contact	Brass
Signal Contact	Brass
Metal Shell	Steel/Dimples on Plug only
Insulator	UL94V-0 Thermoplastic 30% glass filled

Table 2 Finish	
Power Contact	Gold-plated
Signal Contact	Gold-plated
Metal Shell	Tin or nickel plated

Table 3 Electrical Data	
Current Rating	
Signal Contact	5 Amp
Power Contact	10 - 40 Amp
Operating Temperature	-55°C - +125°C
Insulator Resistance	Minimum 5000 MΩ
Contact Resistance	Maximum 10mΩ
Dielectric w/standing Volt	1000 V AC per min

Table 4 Dimension & Current Rating			
Current Rating	Wire Size	Dimension	
		φA	φB
40 AMPS	AWG #8-10	φ4.6	φ5.5
30 AMPS	AWG #10-12	φ3.7	φ4.6
20 AMPS	AWG #12-14	φ2.7	φ3.6
10 AMPS	AWG #16-18	φ1.7	φ2.5



RoHS Compliant

TOLERANCES ARE

MORETHANALL
PCB CONNECTORS
Cable ASSEMBLIES

DRAWING BY CY

X, ±

CHECKED BY GENIUS

.X ±

UNIT / mm

SCALE 1:1

.XXX ±

DATE

ANG ±

SIZE A4

PJECTION

照片框

ORDER INFORMATION

DWS-Sxx-07W2-LF

SERIES | 07W2 | LEADFREE

40:40 AMPS

30:30 AMPS

FEMALE 20:20 AMPS

10:10 AMPS

煜倫股份有限公司

www.morethanall.com

DESCRIPTION: D-SUB POWER SERIES 7W2 Solder Type