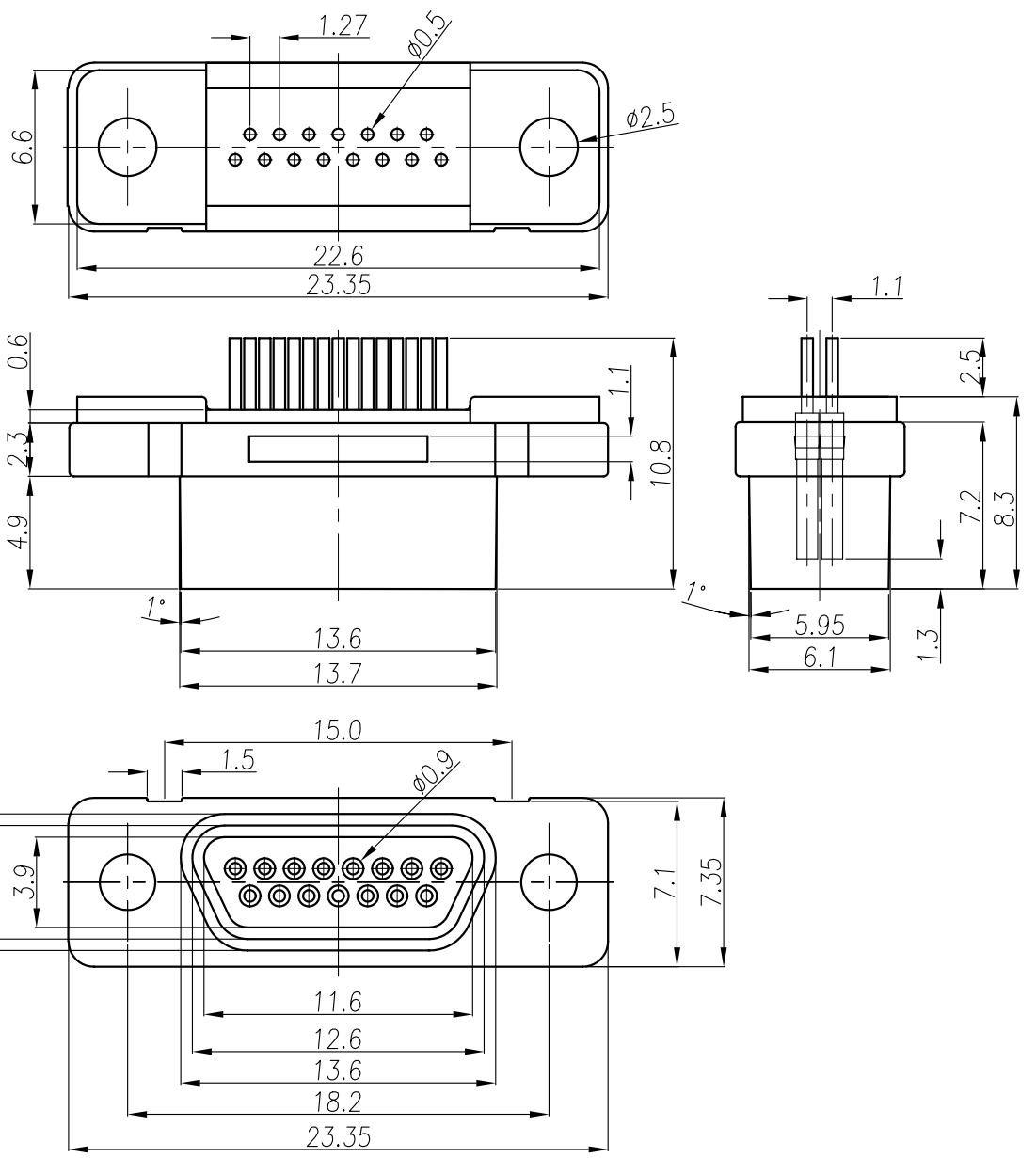


1 2 3 4 5 6 7 8 9 0

J
I
H
G
F
E
D
C
B
A



備註 / NOTE:

1 材質 / MATERIAL:

- 1-1 鐵殼 / PLASTIC SHELL: 鋁鋅合金 / ALLOY OF ALUMINUM AND ZINC
- 1-2 針 / PIN: 磷青銅 / PHOSPHOR BRONZE AND BRASS
- 1-3 環氧樹脂灌注型 / EPOXY POTTING

2 電鍍 / PLATING:

- 1-1 鐵殼 / PLASTIC SHELL: 鍍鎳 60u" / NICKEL 60u"
- 1-2 針 / PIN: 鍍金 15u" / Gold Flash 15u"



PART NO. MID-SS-15

DWG NO. MID-SS-15

FILE NO.

UNIT / mm

SCALE 1:1

CHECKED BY CY

DRAWING BY

PROJECTION

TOLERANCES ARE

.X \pm 0.1
.XX \pm 0.05
.XXX \pm
AWG

DESCRIPTION:

MINI D-SUB 母座成品

AREA

REVISIONS

HK

DATE

煜倫有限公司