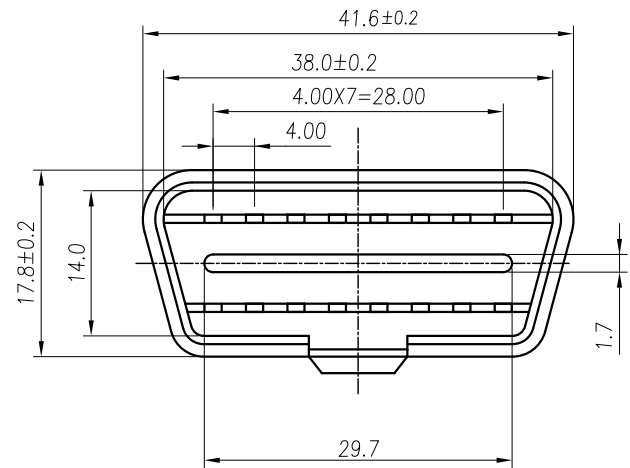
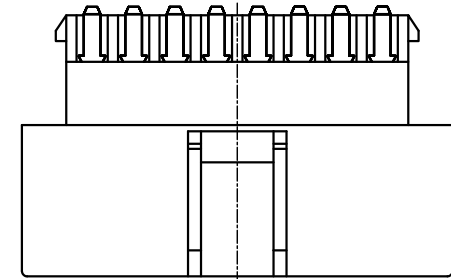
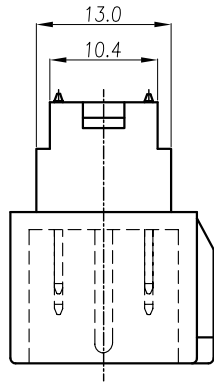
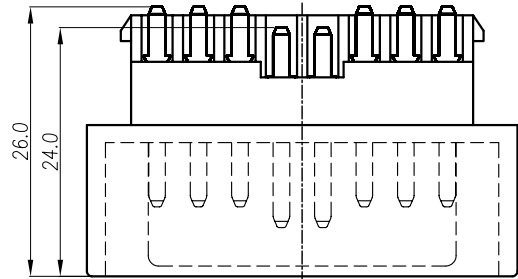
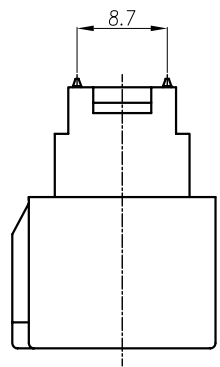


OBD2-PS-16-LF
LEADFREE
RoHS Compliant



1. MATERIAL :
 - 1-1. HOUSING : PA66 UL94V-0 ; COLOR : BLACK
 - 1-2. CONTACT A : BRASS
2. FINISH :
 - 2-1. CONTACT : TABLE A
 - UNDER PLATE : NICKEL
3. ELECTRICAL SPECIFICATION :
 - 3-1. Rated current : 4A
 - 3-2. Voltage :30V
4. Environmental :
 - 4-1. Operation Temperature : -40 ℃~85℃

MORETHANALL
CONNECTORS
ASSEMBLIES

PART NO. OBD2-PS-16		CHECKED BY CY	TOLERANCES ARE .X±0.2 .XX± .XXX± AWG	DESCRIPTION:			
DWG NO. OBD2-PS-16							
FILE NO.		DRAWING BY	AREA REVISIONS HK DATE				
UNIT / mm	SCALE 1:1	PROJECTION					

煜倫股份有限公司