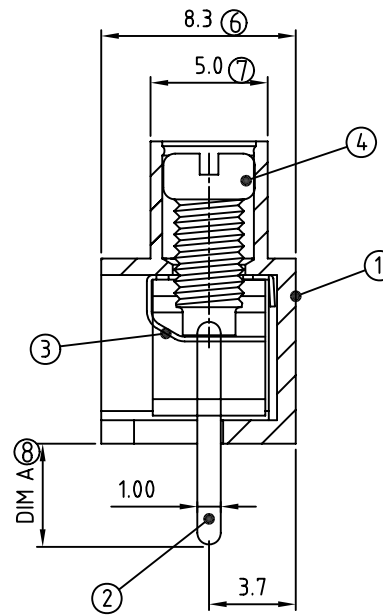
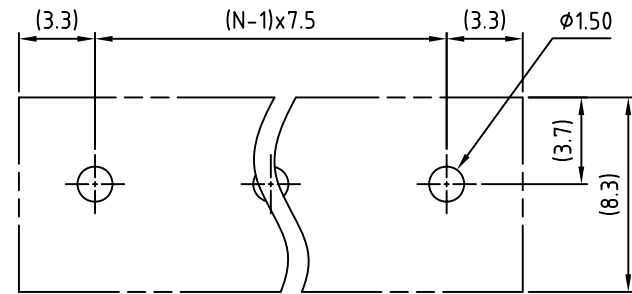


N=Number of contacts



SECTION H-H



RECOMMENDED P.C.B. LAYOUT

Material:

- Item 1 Insulator(housing):Thermoplastic (UL 94V-0)
- Item 2 Metal housing: Brass ,Tin plated
- Item 3 Contacts:Stainless steel
- Item 4 Terminal screw: Steel Zinc plating"-slot type

△ Electrical cULus

- Voltage rating: 300VAC
- Current rating: 10A
- Wire range:
 - △ ◦ Solid wire(AWG): 12-20
 - △ ◦ Stranded wire(AWG): 12-20
- Torque: 3.5Lb-In
- Screw: M3
- Wire strip length: 6-7mm
- Withstanding Voltage: 1.6KV
- Operating temperature: -30° C to +105° C
- △ ◦ Soldering temperature: 250° C ±10° C/5 Sec
- △ ◦ SAFETY APPROVAL DATA:

RoHS Compliant

TOLERANCES ARE

MORETHANALL
PCB CONNECTORS
Cable ASSEMBLIES

煜倫股份有限公司

www.morethanall.com

DRAWING BY CY

CHECKED BY GENIUS

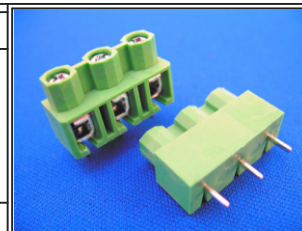
UNIT / mm SCALE 1 : 1

DATE

SIZE A4

X, ±
.X ±
.XX ±
.XXX ±
ANG ±

P PROJECTION



ORDER INFORMATION

TBN075-D13-xx-LF

SERIES | | LEADFREE
02~24WAY
HIGH 12.9mm
DIP 180°

DESCRIPTION: