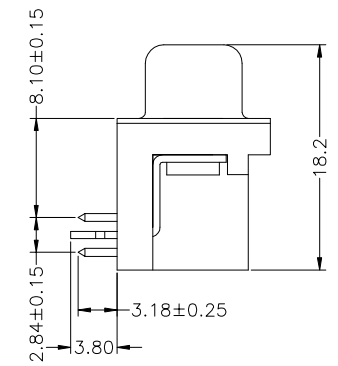
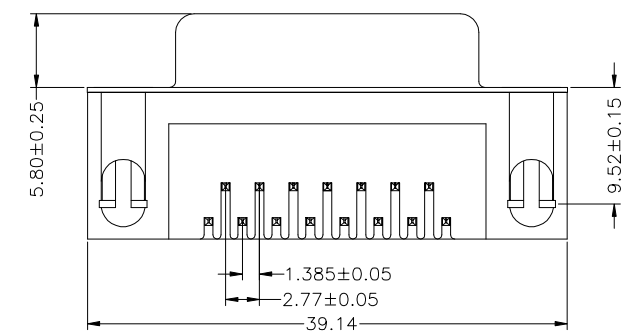
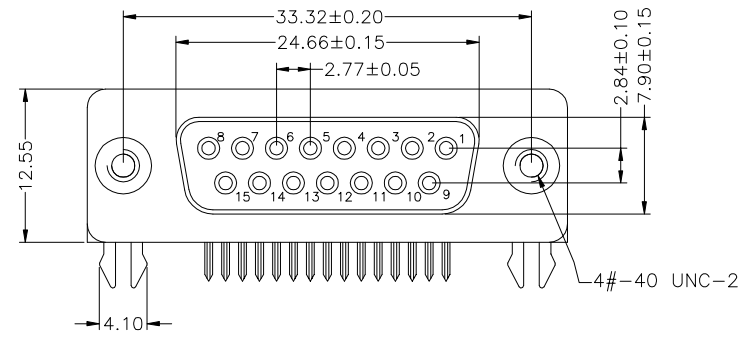
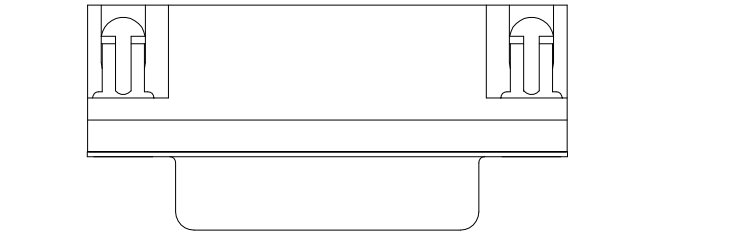


NOTES: P.C.B. LAYOUT

- 1.MATERIAL
- 1.1 Insulator:PBT+30%Glass Fiber (UL94V-0)
  - 1.2 Contact:Brass 0.2T Gold Plated
  - 1.3 Shell:Steel,Gold Plated
  - 1.4 Screw:Brass Gold Plated
- 2.SPECIFICATION
- 2.1 Current Rate:5 Amps
  - 2.2 Insulator Resistance:5000MΩ Min. at 500V DC
  - 2.3 Dielectric Strength:1000V Per minute
  - 2.4 Operation Temperature:-55℃ to+105℃

**DR-SGN-15-LF**  
LEADFREE  
RoHS Compliant



	PART NO. DR-SGN-15		CHECKED BY CY	TOLERANCES ARE .X ± 0.2 .XX ± .XXX ± AWG	DESCRIP TION:			
	DWG NO. DR-SGN-15							
煜倫股份有限公司	FILE NO.		PROJECTION	AREA	REVISIONS	HK	DATE	
	UNIT / mm	SCALE 1:1						