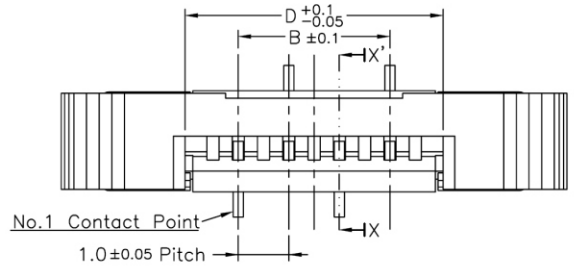


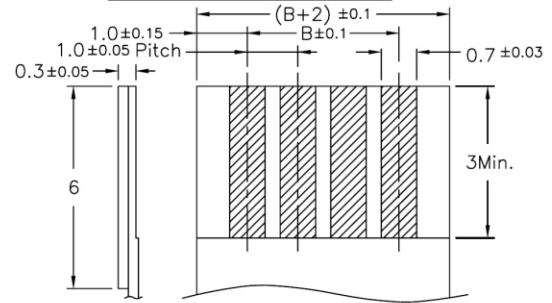
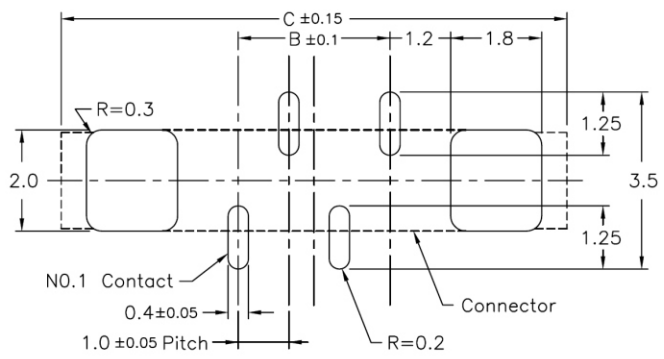
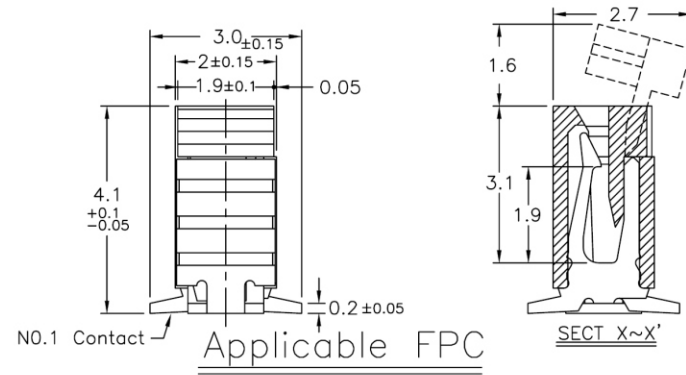
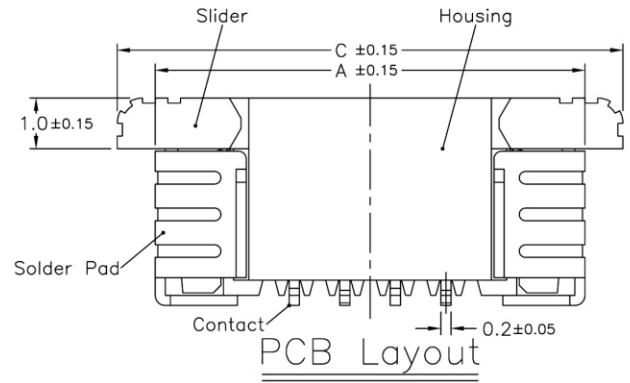
NOTE:

- 1.MATERIAL:  
HOUSING:THERMOPLASTIC  
SLIDER:THERMOPLASTIC  
CONTACTS:COPPER ALLOY  
SOLDER PAD:COPPER ALLOY
- 2.PLATING:  
CONTACTS:SEE ORDERING INFORMATION  
SOLDER PAD:SEE ORDERING INFORMATION
- 3.RATING:  
OPERATING VOLTAGE:50V  
CURRENT RATING:0.5A  
OPERATING TEMPERATURE:-55°C~+85°C



FPA-VZAL41-xx-LF  
LEADFREE

RoHS Compliant



No.of Contacts	Part Number	DIM. A	DIM. B	DIM. C	DIM. D
4	FPA-VZAL41-04	8.5	3	10	5.1
5	FPA-VZAL41-05	9.5	4	11	6.1
6	FPA-VZAL41-06	10.5	5	12	7.1
7	FPA-VZAL41-07	11.5	6	13	8.1
8	FPA-VZAL41-08	12.5	7	14	9.1
9	FPA-VZAL41-09	13.5	8	15	10.1
10	FPA-VZAL41-10	14.5	9	16	11.1
11	FPA-VZAL41-11	15.5	10	17	12.1
12	FPA-VZAL41-12	16.5	11	18	13.1
13	FPA-VZAL41-13	17.5	12	19	14.1
14	FPA-VZAL41-14	18.5	13	20	15.1
15	FPA-VZAL41-15	19.5	14	21	16.1
16	FPA-VZAL41-16	20.5	15	22	17.1
17	FPA-VZAL41-17	21.5	16	23	18.1
18	FPA-VZAL41-18	22.5	17	24	19.1
19	FPA-VZAL41-19	23.5	18	25	20.1
20	FPA-VZAL41-20	24.5	19	26	21.1
21	FPA-VZAL41-21	25.5	20	27	22.1
22	FPA-VZAL41-22	26.5	21	28	23.1
23	FPA-VZAL41-23	27.5	22	29	24.1
24	FPA-VZAL41-24	28.5	23	30	25.1



PART NO. FPA-VZAL41-xx

DWG NO. FPA-VZAL41-xx

FILE NO.

UNIT / mm

SCALE 1:1

CHECKED BY CY

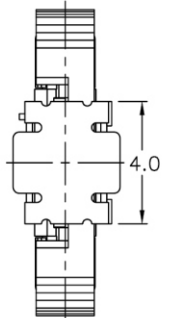
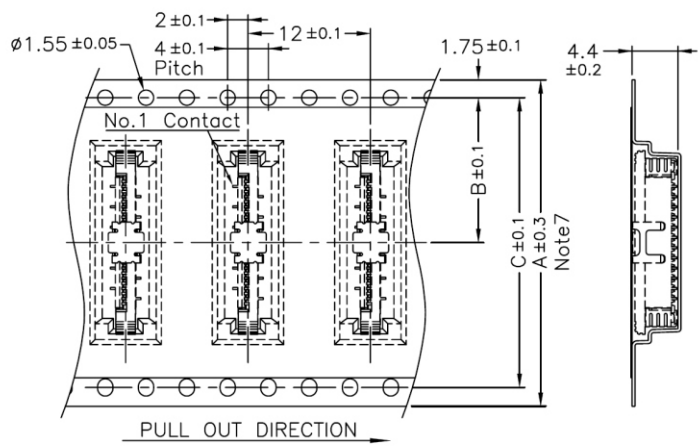
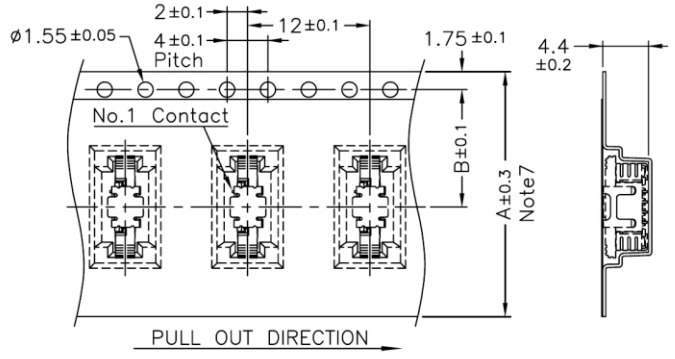
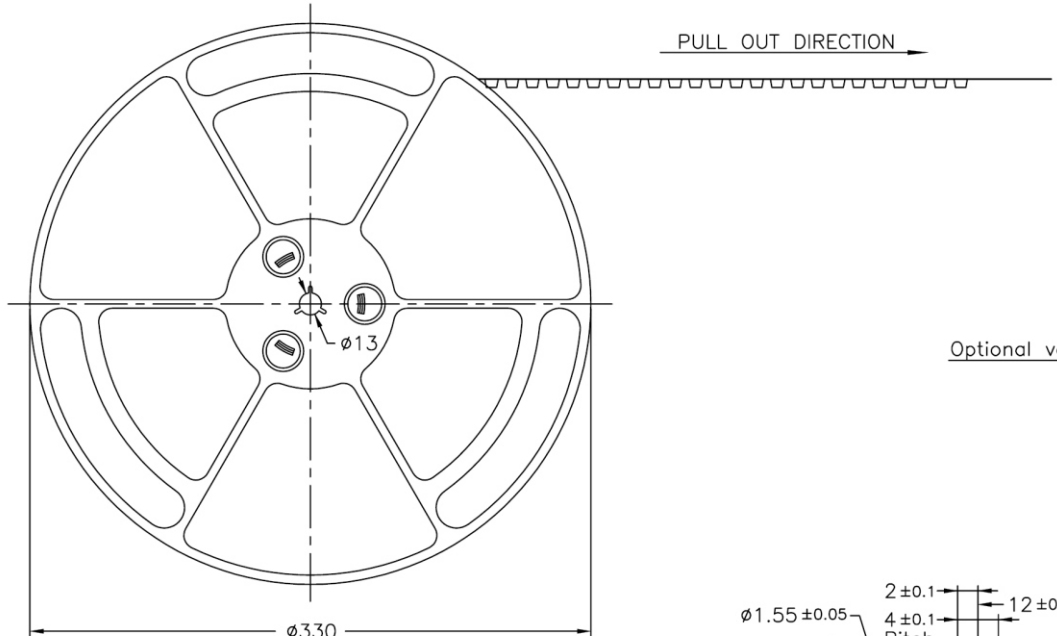
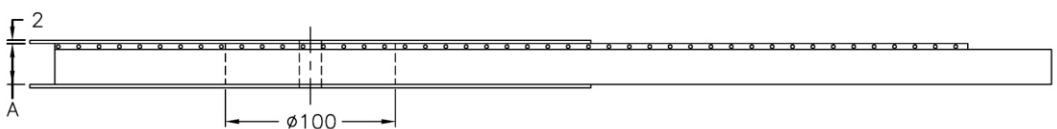
DRAWING BY

PROJECTION

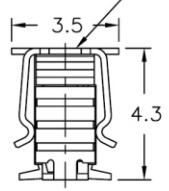
TOLERANCES ARE  
.X ± 0.2  
.XX ±  
.XXX ±  
AWG

DESCRIP TION:				
AREA	REVISIONS	HK	DATE	

煜倫股份有限公司



Optional vacuum cap for robotic placement



Note:

- 1.10 sprocket hole pitch cumulative tolerance±0.2
- 2.Carrier camber is within 1 mm in 100mm.
- 3.Material : Black Conductive Polystyrene Alloy  
100% recyclable.
- 4.All dimensions meet EIA-481-B requirements.
- 5.Thickness : 0.3±0.05mm
- 6.Component load per 13" reel :1000 pcs.
- 7.For tape width (dimension A) 24mm a pilot hole is provided on one side.  
For tape width (dimension A) 32mm and 44mm pilot holes are provided on both sides.

No.of Contacts	DIM. A Note7	DIM. B	DIM. C
4	24	11.5	—
11			
12	32	14.2	28.4
16			
17	44	20.2	40.4
24			



PART NO. **FPA-VZAL41-xx**

DWG NO. **FPA-VZAL41-xx**

FILE NO.

UNIT / mm

SCALE 1:1

CHECKED BY CY

DRAWING BY

PROJECTION

TOLERANCES ARE

.X ± 0.2  
.XX ±  
.XXX ±  
AWG

DESCRIPTION:

AREA	REVISIONS	HK	DATE

煜倫股份有限公司