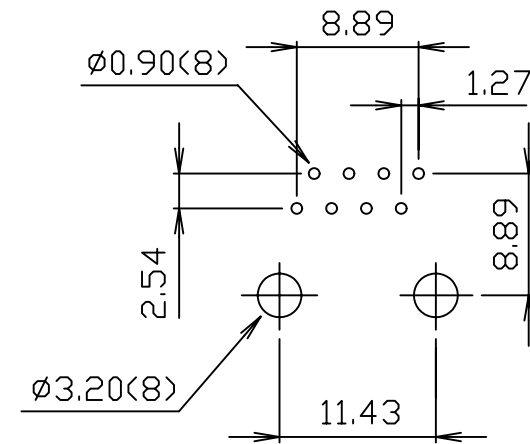
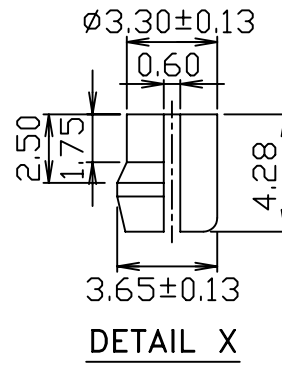
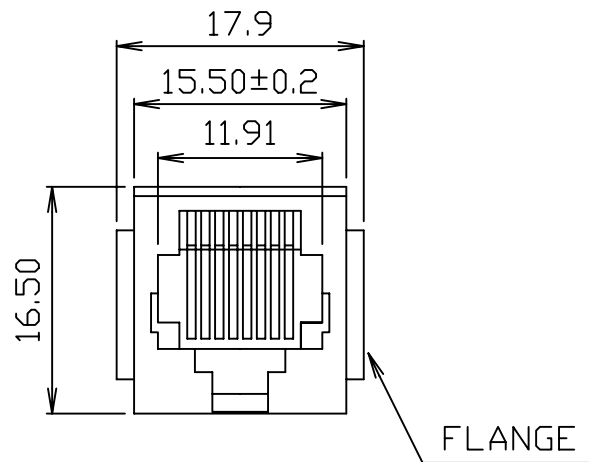


MATERIALS:

- HOUSING-PBT POLYESTER UL94V-0 MIXED GLASS FIBER. STANDARD COLOR-BLACK
  - CONTACTS-0.45mm DIA. ROUND PHOS-BRONZE PLATED WITH HARD GOLD.
- CAVITY CONFIRMS TO FCC RULES AND REGULATIONS



PC Board Layout Ref.

**MORETHANALL**  
CONNECTORS  
ASSEMBLIES

PART NO. MJD16-KE06-0808

DWG NO. MJD-KE06-0808

APPROVED BY CY

TOLERANCES ARE

DESCRIPTION:

8POSITION 180° (SPLIT PEGS)  
TOP ENTRY PCB JACK

FILE NO.

DRAWING BY

.X ±0.25  
.XX ±0.13  
.XXX ±0.05  
AWG

AREA

REVISIONS

HK

DATE

焯倫有限公司

UNIT / mm

SCALE 1:1

PROJECTION

