

FEATURES:

- Half pitch 1.27mm(.050") series
- Centronic type female connector for P.C.B straight dip solder type

- Panel mount receptacle assemblies bracket with latch block

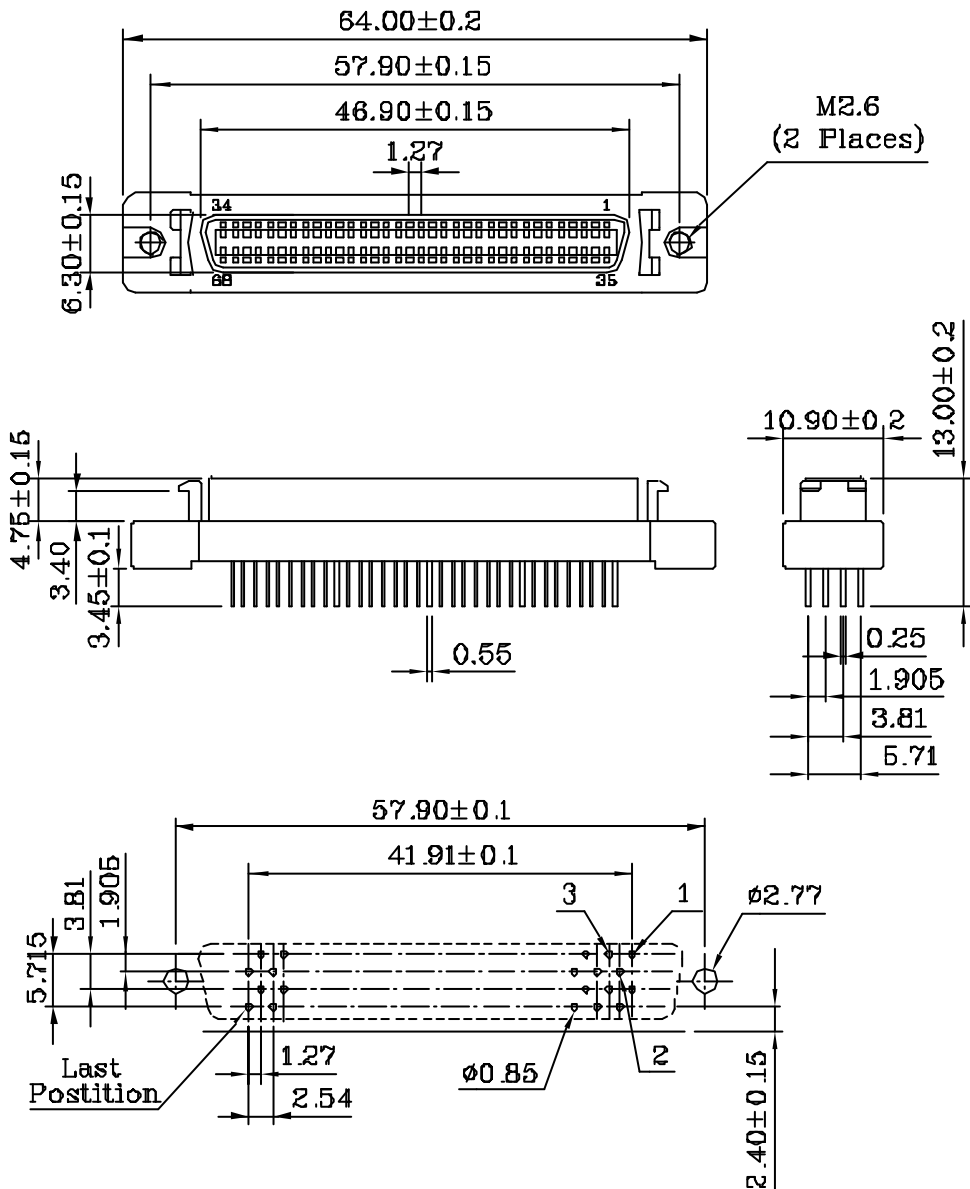
- Die-Cast body provide EMI/RFI shielded

MATERIALS:

- Housing: Plastic thermoplastic P.B.T UL94V-0 black
- Contact: Phosphor bronze gold selective plated
- Bracketshell: Die-Cast Zinc Nickel plated over copper

ELECTRICAL:

- Current Rating: 1 Amp
- Insulation Resistance: 500MΩ/Min
- Withstanding Voltage: 500V AC/Min
- Contact Resistance: 35mΩ Max
- Temperature Range: -55°C ~ +105°C



PC Board Mounting Dimensions



PART NO. HPC-SDL-068		CHECKED BY CY		TOLERANCES ARE .X±0.2 .XX± .XXX± AWG	DESCRIPTION: 1.27mm(.050") Pitch Centronic 68P Female Connector Straight Dip Solder Type		
DWG NO. HPC-SDL-068		DRAWING BY					
FILE NO.		PROJECTION		AREA	REVISIONS	HK	DATE
UNIT / mm	SCALE 1:1						

煜倫股份有限公司