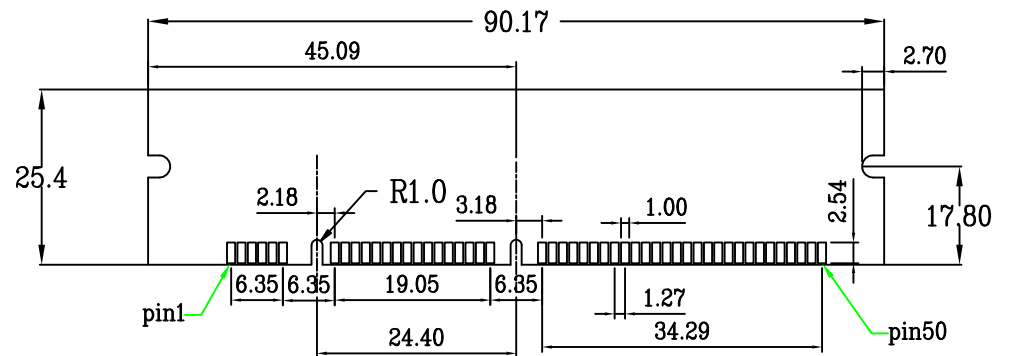
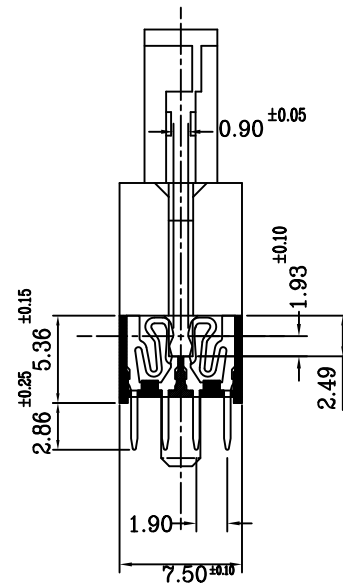


P.C.B. LAYOUT



Non-Standard DRAM,3.3 Volt

MORETHANALL
PCB CONNECTORS
Cable ASSEMBLIES

煜倫股份有限公司

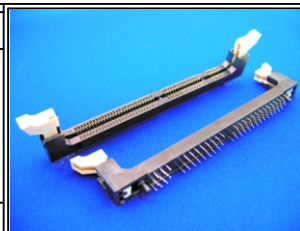
www.morethanall.com

RoHS Compliant

DRAWING BY CY
CHECKED BY GENIUS
UNIT / mm SCALE 1 : 1
DATE
SIZE A4 PPROJECTION

TOLERANCES ARE

X. ±
.X ±
.XX ±
.XXX ±
ANG ±



ORDER INFORMATION

DIM-DP-100-LF
SERIES | LEADFREE
100 WAY
POST
DIP 180°

DESCRIPTION: DIMM Socket 100p Vertical type