

NOTES: P.C.B. LAYOUT

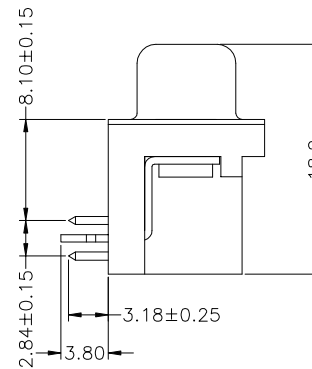
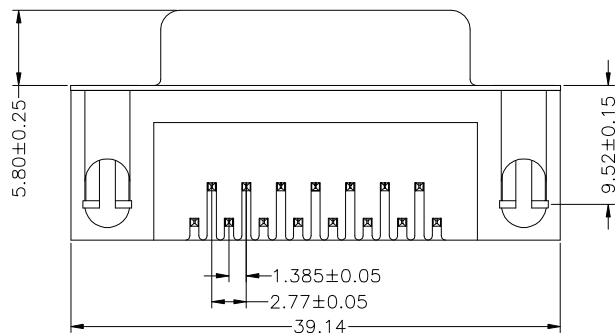
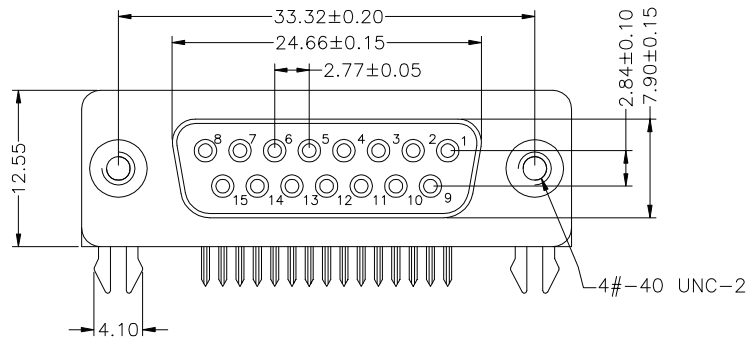
1.MATERIAL

- 1.1 Insulator:PBT+30%Glass Fiber (UL94V-0)
- 1.2 Contact:Brass 0.2T Gold **Flash** Plated

- 1.3 Shell:Steel,Gold Plated
- 1.4 Screw:Brass Gold Plated

2.SPECIFICATION

- 2.1 Current Rate:5 Amps
- 2.2 Insulator Resistance:5000M Ω Min. at 500V DC
- 2.3 Dielectric Strength:1000V Per minute
- 2.4 Operation Temperature:-55 $^{\circ}$ C to+105 $^{\circ}$ C



RoHS Compliant

TOLERANCES ARE

MORETHANALL
PCB CONNECTORS
Cable ASSEMBLIES

煜倫股份有限公司

www.morethanall.com

DRAWING BY CY

CHECKED BY GENIUS

UNIT/ mm

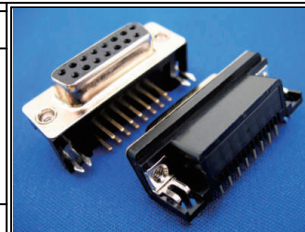
SCALE 1:1

DATE

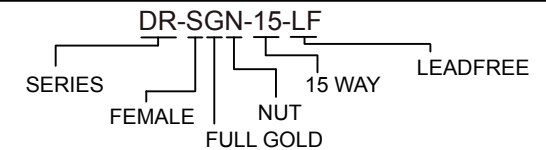
SIZE A4

P PROJECTION

X. \pm
.X \pm 0.30
.XX \pm 0.20
.XXX \pm 0.10
ANG \pm



ORDER INFORMATION



DESCRIPTION: D-SUB RIGHT ANGLE P. B. C TYPE (F)