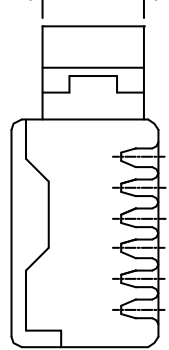
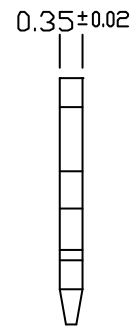
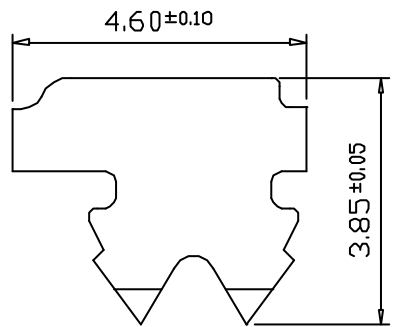
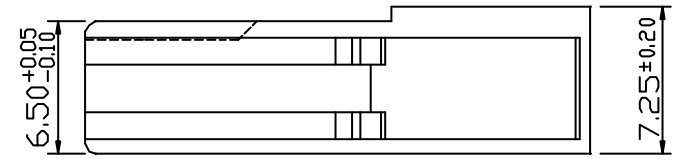
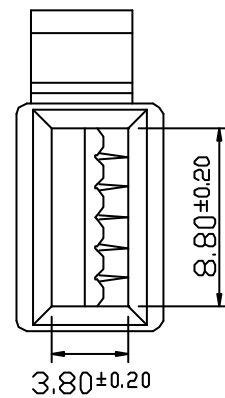
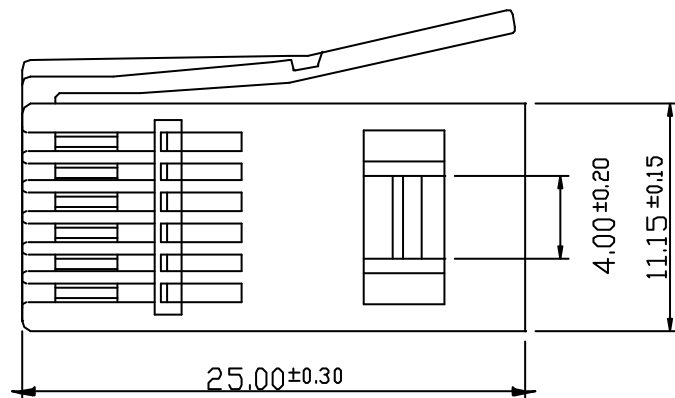


4.80±0.30

1.50±0.05



MP6P6C UK



2 PRONGS FOR STRANDED WIRE  
多芯線用二叉型金片

UK-P-0606-LF  
LEADFREE  
RoHS Compliant



PART NO. UK-P-0606

DWG NO. UK-P-0606

CHECKED BY CY

TOLERANCES ARE

DESCRIP TION:

FILE NO.

DRAWING BY

.X ± 0.2  
.XX ± 0.1  
.XXX ±  
AWG

AREA REVISIONS HK DATE

煜倫股份有限公司

UNIT / mm

SCALE 1:1

PROJECTION