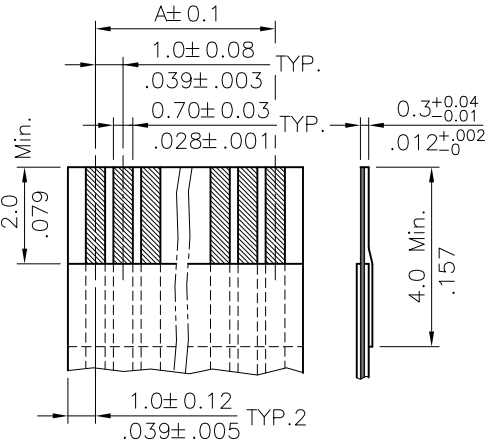
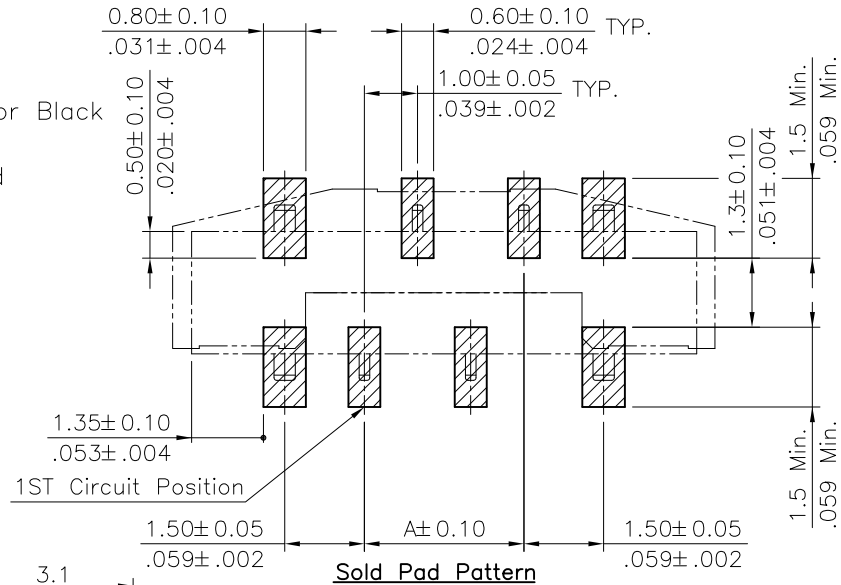
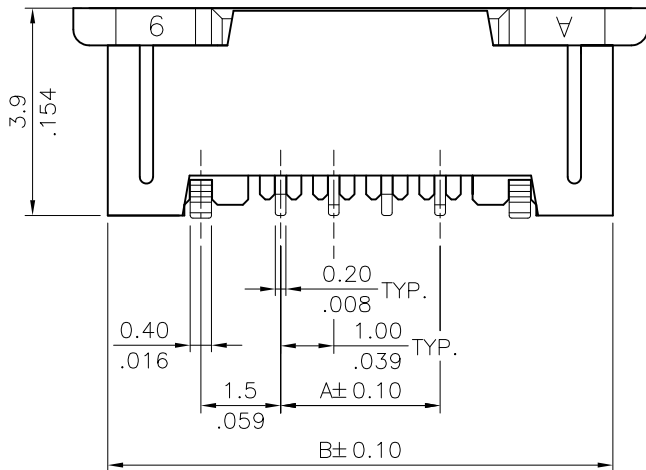
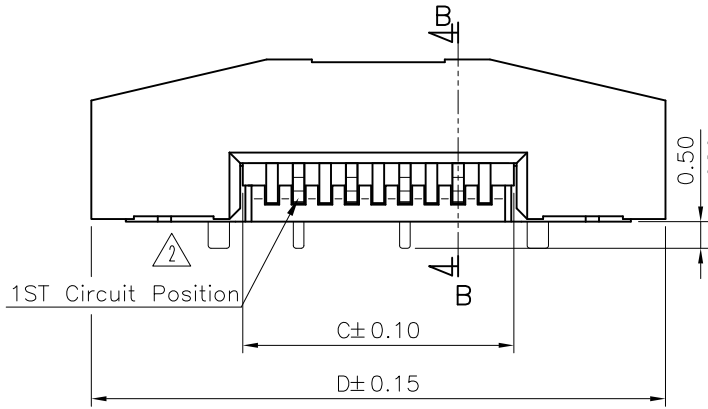
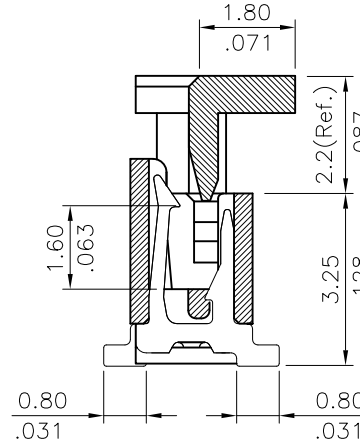
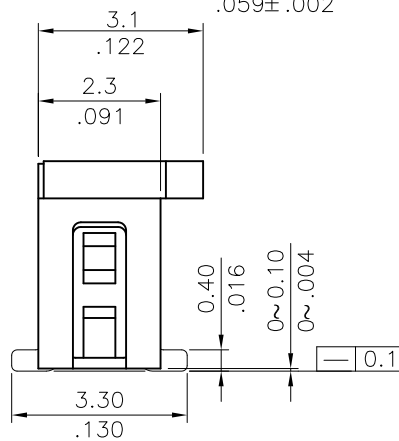


Note:

- \* Body : High temperature plastic UL 94V-0, Color Nature(Halogen-Free)
- \* Slider : High temperature plastic UL 94V-0, Color Black (Halogen-Free)
- \* Contact : Phosphor Bronze, With Matte Tin plated
- \* Fixed tab : Brass, With Matte Tin plated
- \* For Lead Free IR Reflow Process



Accommodated FFC/FPC



B-B SEC.

A = 1.0 x No. of Spaces  
 B = A + 6.5  
 C = A + 2.2  
 D = A + 7.8

\* Available in 4 through 24 circuits

RoHS Compliant

TOLERANCES ARE



煜倫股份有限公司

www.morethanall.com

DRAWING BY CY

CHECKED BY GENIUS

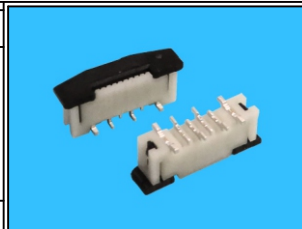
UNIT / mm SCALE 1 : 1

DATE

SIZE A4

PJECTION

X. ±  
 .X ± 0.15  
 .XX ± 0.10  
 .XXX ± 0.05  
 ANG ±



ORDER INFORMATION

FPA-VZAL39-xx-LF

SERIES

LEAD FREE  
 04~30WAY  
 HIGH 3.9mm  
 L TYPE FOOT POSITION  
 SINGLE CONTACT  
 ZIF

DESCRIPTION: 1.0mm(.039") ZIF FFC/FPC VERTICAL TYPE SURFACE MOUNT CONNECTOR