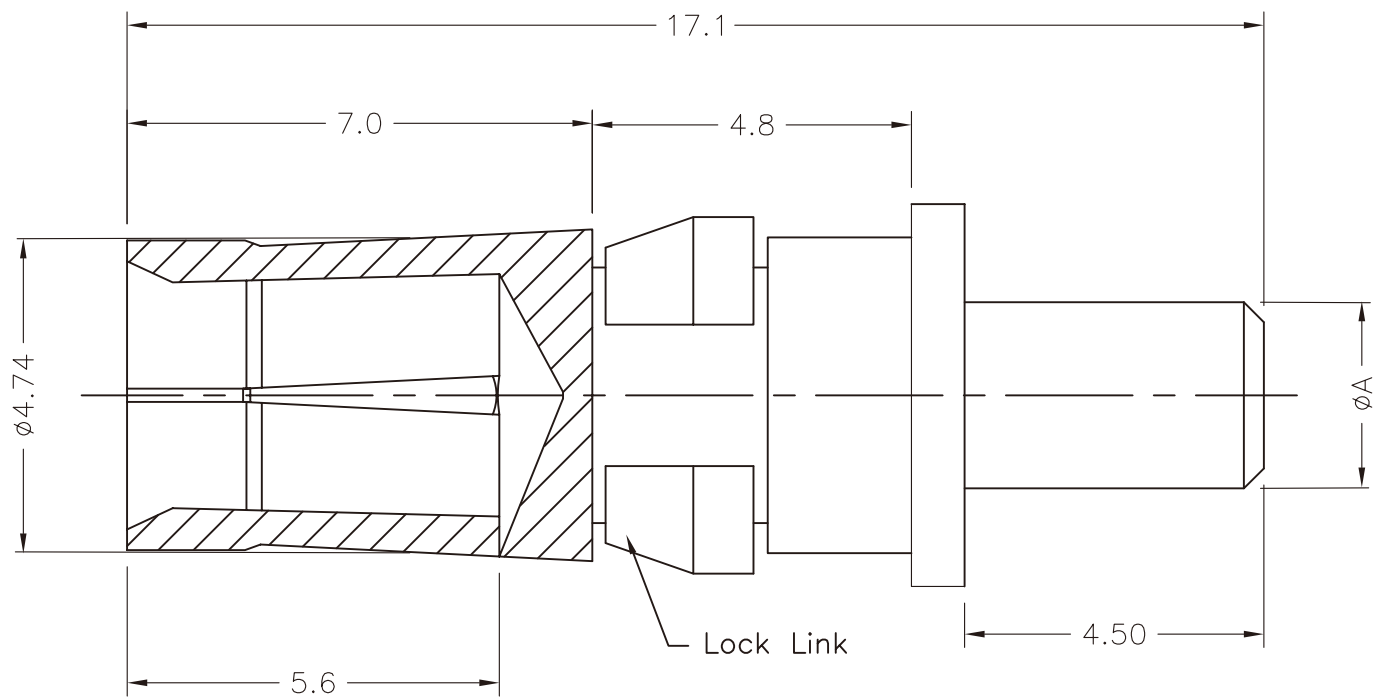


Material:

Contact: Copper Alloy With Gold Plated.

Lock Link: Copper Alloy With Nickel Plated.



Current Rating (AMP)	Dimension
	ϕA
40	3.75
30	3.17
20	2.85
10	1.70

RoHS Compliant

TOLERANCES ARE



煜倫股份有限公司

www.morethanall.com

DRAWING BY CY

CHECKED BY GENIUS

UNIT / mm

SCALE 1:1

DATE

SIZE A4

PPOJECTION

X, ±
.X ±
.XX ±
.XXX ±
ANG ±



ORDER INFORMATION

UM-FD-xx-LF
SERIES | LEADFREE
FEMALE | 40:40AMP
 | 30:30AMP
 | 20:20AMP
 | 10:10AMP
 | 180°

DESCRIPTION: Power Pin Female Straight Type