

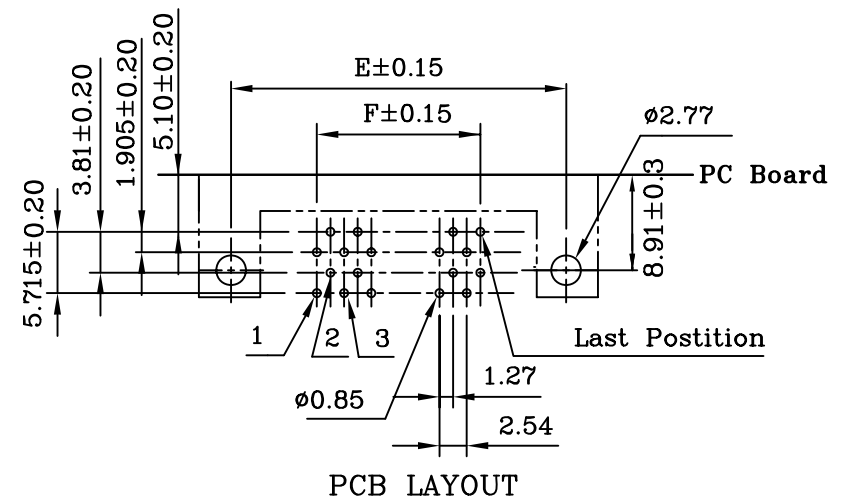
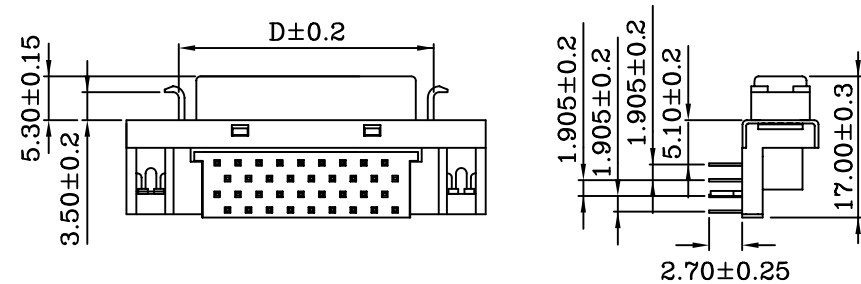
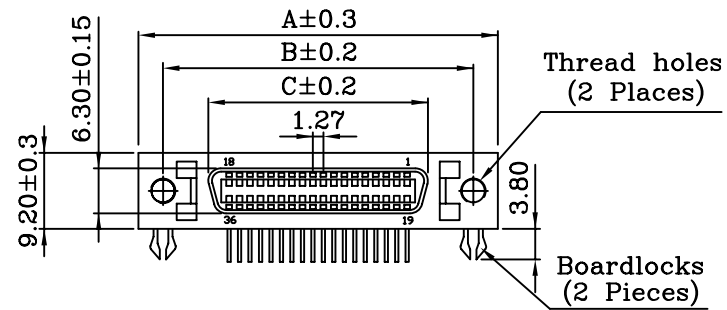
• **MATERIALS:(RoHS Compliant)**

- Housing And Cover : Plastic thermoplastic
P.B.T UL94V-0 black
- Contacts : Phosphor bronze gold
selective plated
- Front Shell : Steel nickel plated
over copper
- Boardlock : Brass Tin plated
over copper
- Bracket : Steel nickel plated
over copper

• **ELECTRICAL CHARACTERISTICS**

- Contact Current Rating: 0.5 Amp
- Dielectric Withstanding Voltage: 500V AC
- Insulation Resistance: 500MΩ/Min
- Contact Resistance: 35mΩ/Max
- Operation Temperature: -55°C ~ + 85°C

NO OF CONTACTS	A	B	C	D	E	F
14	29.57	23.64	12.63	17.08	23.64	7.62
20	33.40	27.40	16.44	20.83	27.45	11.43
26	37.19	31.26	20.25	24.64	31.26	15.24
36	43.54	37.61	26.60	31.05	37.61	21.59
50	52.50	46.50	35.49	39.88	46.50	30.48
68	64.00	57.92	46.92	51.32	57.60	41.91
100	84.18	78.23	67.10		78.10	62.23



煜倫股份有限公司

www.morethanall.com

RoHS Compliant

TOLERANCES ARE

DRAWING BY CY

X, ±

CHECKED BY GENIUS

.X ±

UNIT / mm SCALE 1 : 1

.XX ±

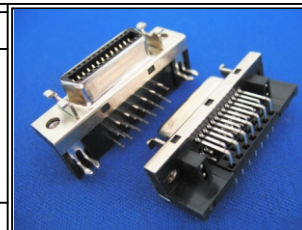
DATE

.XXX ±

SIZE A4

PJECTION

ANG ±



ORDER INFORMATION

HPC-SRL-xxx-LF
 SERIES | LEADFREE
 014~100WAY
 LOCK
 DIP 90°
 FEMALE

DESCRIPTION: 1.27mm (.050") Ribbon Serie Receptacles Headers Right-Angle Mount Type