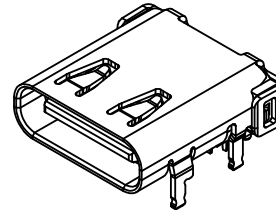
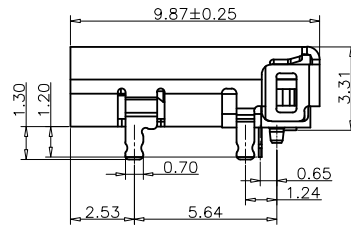
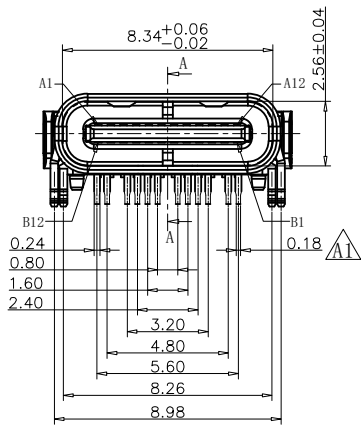


- NOTES:  
 SPECIFICATION:  
 1.CURRENT RATING: 5.0 A  
 2.VOLTAGE RATING: 20 V  
 3.VBUS& GND PINS AND OTHER PINS:40mΩ/PIN MAX  
 SHIELD:50mΩ/MAX  
 LLCR MAX. CHANGE OF ALL PINS :10Ωm  
 4.INSULATION RESISTANCE: 100MΩ MIN  
 5.DIELECTRIC WITHSTAND VOLTAGE,AC 100V FOR 1MINUTE  
 6.INSERTION FORCE: 0.5~2.0kgf  
 7.UNMATING FORCE: 0.8~2.0kgf  
 8.DURABILITY: 10000 CYCLES  
 9. OPERATING TEMPERATURE:-25°C~+85°C  
 10.THE PEAK TEMPERATURE ON THE BOARD SHALL



USB TYPE C PIN ASSIGNMENTS

PIN NUMBER	SIGNAL NAME	PIN NUMBER	SIGNAL NAME
A1	GND	B12	GND
A2	TX1+	B11	TX1+
A3	TX1-	B10	TX1-
A4	VBUS	B9	VBUS
A5	CC1	B8	SBU2
A6	DP1	B7	DN2
A7	DN1	B6	DP2
A8	SBU1	B5	CC2
A9	VBUS	B4	VBUS
A10	RX2-	B3	TX2-
A11	RX2+	B2	TX2+
A12	GND	B1	GND

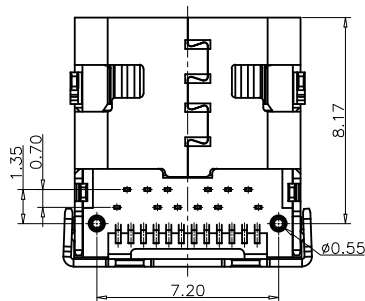
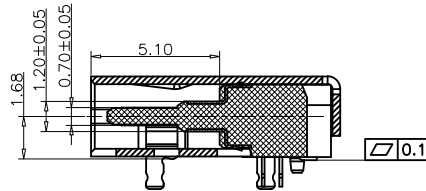


TABLE:

NO	PART	Q'TY	Material
1	SHELL	1	STAINLESS STEEL,NI PLATED
2	CONTACT	24	COPPER ALLOY,TIN/Au/NI PLATED
3	MID PLATE	1	STAINLESS STEEL,NO PLATING
4	EMI	1	STAINLESS STEEL,NO PLATING
5	HOUSING	1	HIGH TEMPERATURE RESISTANT PLASTIC BLACK UL94 V-0

RoHS Compliant

TOLERANCES ARE

**MORETHANALL**  
 PCB CONNECTORS  
 Cable ASSEMBLIES

DRAWING BY CY

X, ±

CHECKED BY GENIUS

.X ±

UNIT / mm

SCALE 1 : 1

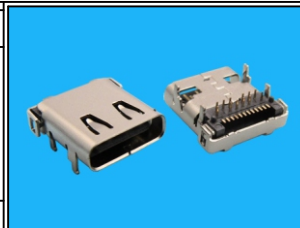
.XXX ±

DATE

ANG ±

SIZE A4

PJECTION



ORDER INFORMATION

USB-SRWMM8982PS-24C-LF  
 SERIES | | | | LEADFREE  
 FEMALE | | | | 24 PIN C TYPE  
 DIP 90° | | | | W/SPRING  
 | | | | POST  
 METAL FOOT 8.98mm+8.26mm  
 90°SMT

DESCRIPTION:

煜倫股份有限公司

www.morethanall.com