

Technical Data:

Material:


- Solder Pin: Brass with Tin plated
- Insulator body(housing): Polyamide(Glass filled)(UL94V-0)

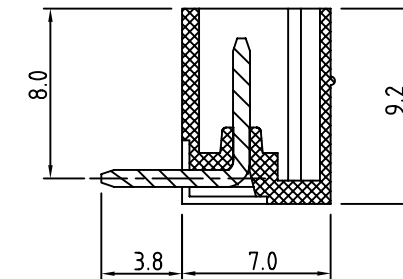
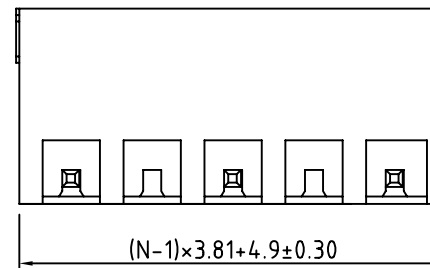
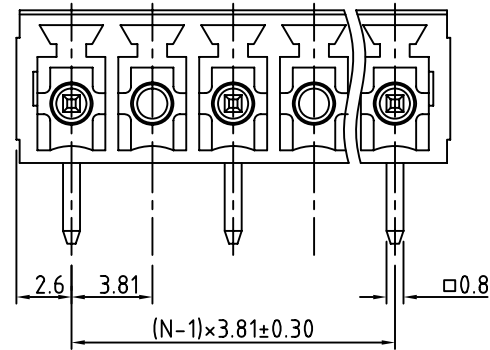
Electrical

- Voltage rating: 125VAC
- Current rating: 8A
- Insulation resistance: 500MΩ at DC 500V
- Withstanding Voltage: AC 1500V(1min)

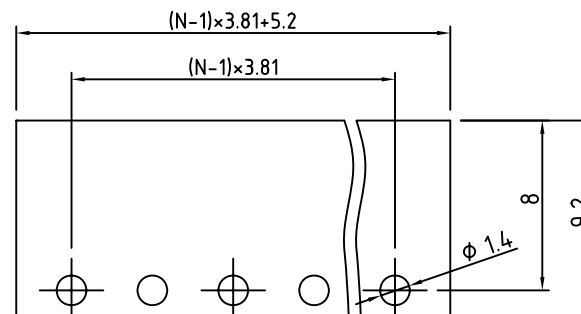
Mechanical:

- Using temperature Range: -40°C to +105°C
- Soldering temperature: +250°, 5seconds Max.

Safety approval data: 



N= Number of concats
P.C.B. LAYOUT



RoHS Compliant

TOLERANCES ARE

MORETHANALL
PCB CONNECTORS
Cable ASSEMBLIES

DRAWING BY CY

X, ±

CHECKED BY GENIUS

.X ±

UNIT / mm

SCALE 1 : 1

.XX ± 0.30

.XXX ± 0.10

DATE

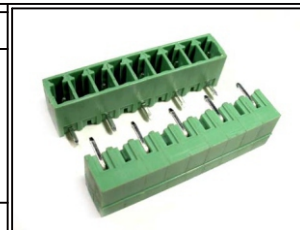
ANG ±

煜倫股份有限公司

www.morethanall.com

SIZE A4

PPOJECTION 



ORDER INFORMATION

TBH038-PRCEE-xx-LF

SERIES | LEADFREE
02~12WAY
EMPTY EVEN PIN
CAGE
DIP 90°
MALE

DESCRIPTION: 3.81mm Series 90° 2P-24P Triangle Key Lock