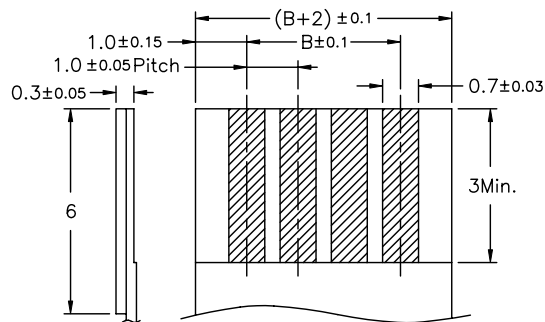
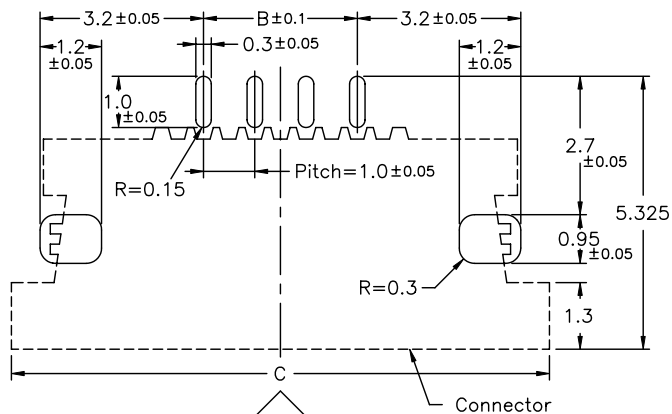


Applicable FPC

PCB Layout



NOTE:

1.MATERIAL:

HOUSING:THERMOPLASTIC
 SLIDER:THERMOPLASTIC
 CONTACTS:COPPER ALLOY
 SOLDER PAD:COPPER ALLOY

2.PLATING:

CONTACTS:SEE ORDERING INFORMATION
 SOLDER PAD:SEE ORDERING INFORMATION

3.RATING:

OPERATING VOLTAGE:5'
 CURRENT RATING:0.5A
 OPERATING TEMPERATURE:-55°C ~ +85°C

No.of Contacts	DIM. A	DIM. B	DIM. C	DIM. D
4	9.25	3	10.5	5.1
5	10.25	4	11.5	6.1
6	11.25	5	12.5	7.1
7	12.25	6	13.5	8.1
8	13.25	7	14.5	9.1
9	14.25	8	15.5	10.1
10	15.25	9	16.5	11.1
11	16.25	10	17.5	12.1
12	17.25	11	18.5	13.1
13	18.25	12	19.5	14.1
14	19.25	13	20.5	15.1
15	20.25	14	21.5	16.1
16	21.25	15	22.5	17.1
17	22.25	16	23.5	18.1
18	23.25	17	24.5	19.1
19	24.25	18	25.5	20.1
20	25.25	19	26.5	21.1
21	26.25	20	27.5	22.1
22	27.25	21	28.5	23.1
23	28.25	22	29.5	24.1
24	29.25	23	30.5	25.1

RoHS Compliant

TOLERANCES ARE

MORETHANALL
 PCB CONNECTORS
 Cable ASSEMBLIES

DRAWING BY CY

X, ±

CHECKED BY GENIUS

.X ±

UNIT / mm

SCALE 1 : 1

.XX ±

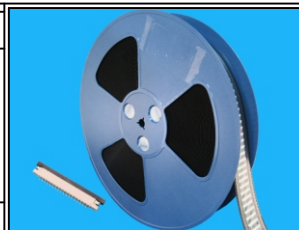
DATE

.XXX ±

ANG ±

SIZE A4

PPOJECTION



ORDER INFORMATION

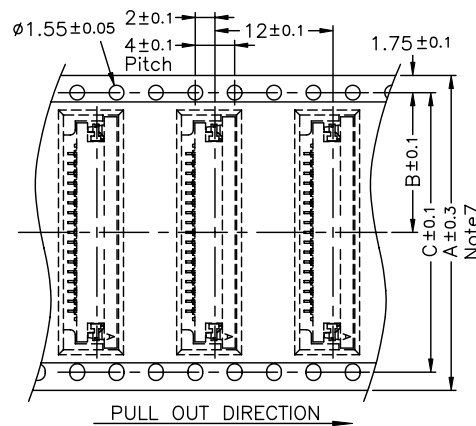
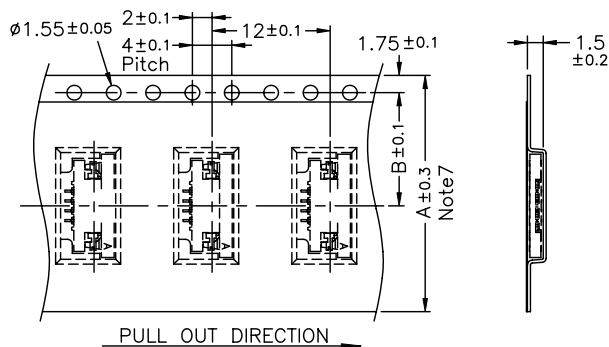
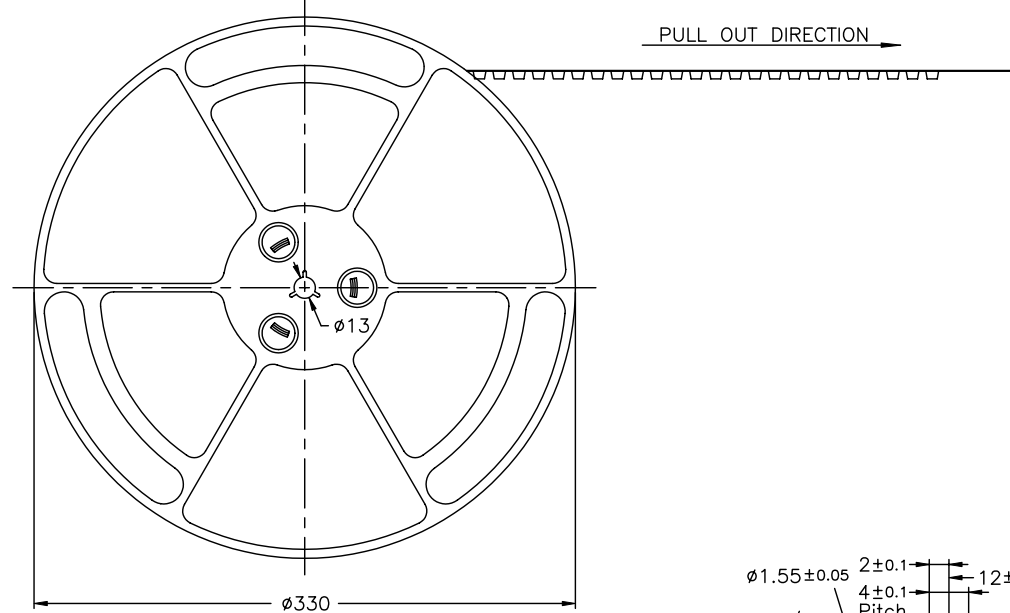
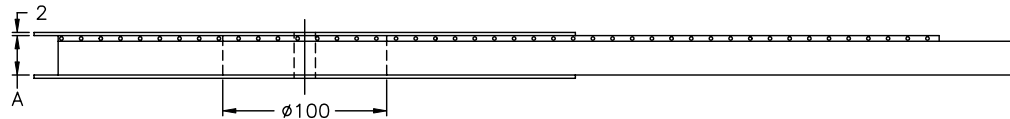
FPA-WZB12R-xx-LF
 SERIES | | | | LEADFREE
 | | | | 04~24WAY
 | | | | REEL
 | | | | HIGH 1.2mm
 90°SMT | | | | BOTTOM CONTACT
 ZIF

DESCRIPTION:

煜倫股份有限公司

www.morethanall.com

EMBOSSED TAPE PACKING BL117 SERIES RIGHT ANGLE TYPE



Note:

1. 10 sprocket hole pitch cumulative tolerance ± 0.2
2. Carrier camber is within 1 mm in 100mm.
3. Material : Black Conductive Polystyrene Alloy
100% recyclable.
4. All dimensions meet EIA-481-B requirements.
5. Thickness : 0.3 ± 0.05 mm.
6. Component load per 13" reel : 3000 pcs.
7. For tape width (dimension A) 24mm a pilot hole is provided on one side.
For tape width (dimension A) 32mm and 44mm pilot holes are provided on both sides.

Note7

No. of Contacts	DIM. A	DIM. B	DIM. C
4	24	11.5	—
↓			
10			
↓			
11	32	14.2	28.4
↓			
16			
↓			
17	44	20.2	40.4
↓			
24			

RoHS Compliant

TOLERANCES ARE

MORETHANALL
PCB CONNECTORS
Cable ASSEMBLIES

DRAWING BY CY

X, ±

CHECKED BY GENIUS

.X, ±

UNIT / mm

SCALE 1 : 1

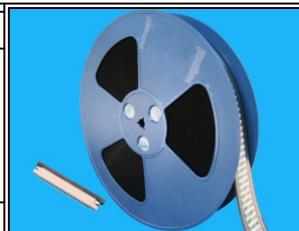
.XXX, ±

DATE

ANG, ±

SIZE A4

PPOJECTION



ORDER INFORMATION

FPA-WZB12R-xx-LF
SERIES | | | | LEADFREE
04-24WAY
REEL
HIGH 1.2mm
90°SMT | | | | BOTTOM CONTACT
ZIF

DESCRIPTION:

煜倫股份有限公司

www.morethanall.com